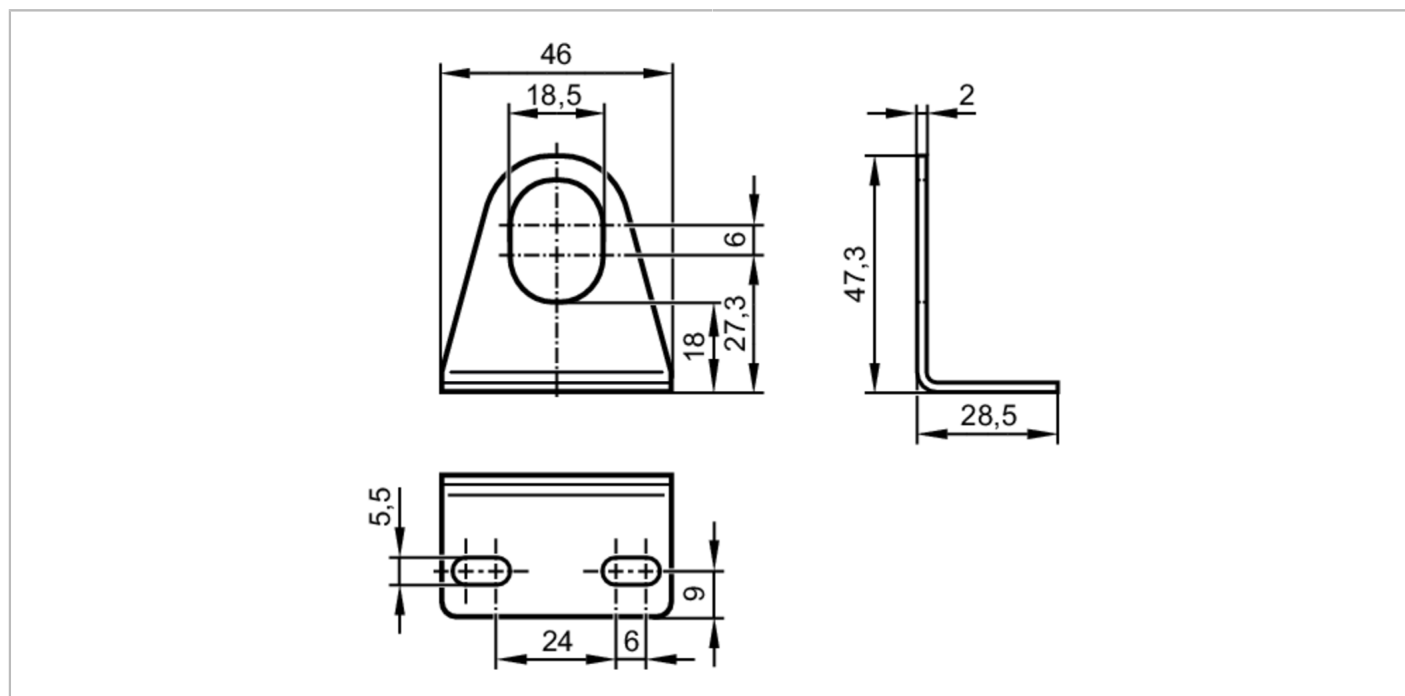


E12486



Angle bracket

ANGLE BRACKET M18 / K1



Application	
Design	for type M18
Mechanical data	
Weight [g]	41.8
Dimensions [mm]	47.3 x 46 x 28.5
Materials	stainless steel (1.4301 / 304)
Accessories	
Accessories (supplied)	lock washers: 2 x Ø 18 mm, for M18 sensor
Remarks	
Pack quantity	1 pcs.