

RU1215

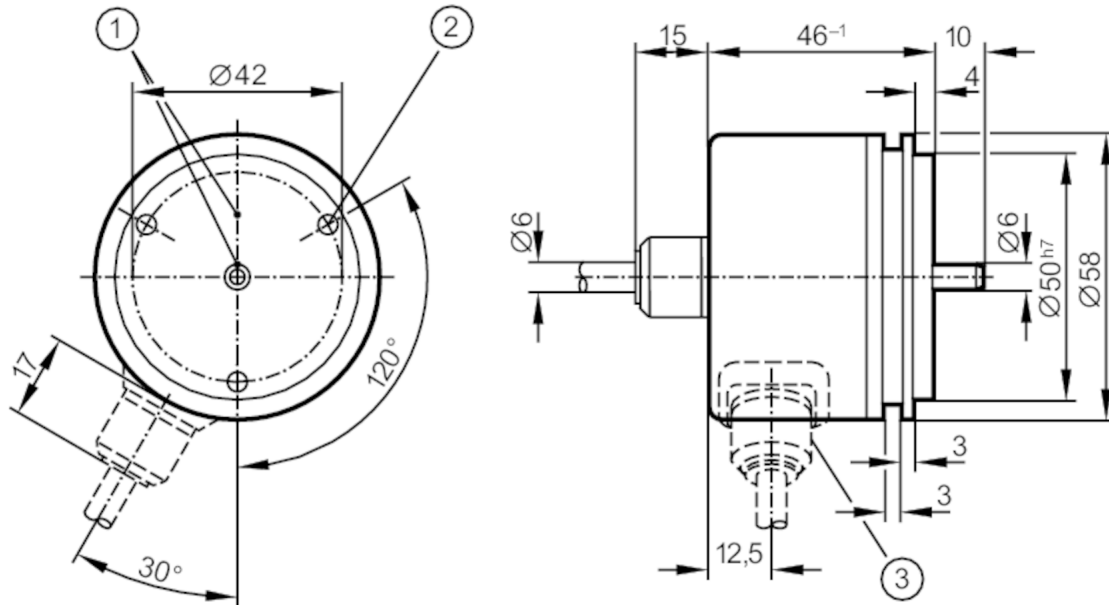
Incremental encoder with solid shaft

RU-3600-I05/S1



Status Archive

/RUP500 + E12460



- 1 reference mark
- 2 M4 Depth 5 mm



Application

Function principle incremental

Electrical data

| | | |
|-----------------------------|------|------|
| Operating voltage tolerance | [%] | 10 |
| Operating voltage | [V] | 5 DC |
| Current consumption | [mA] | 150 |

Outputs

| | | |
|------------------------------|-------|-----|
| Electrical design | TTL | |
| Max. current load per output | [mA] | 20 |
| Switching frequency | [kHz] | 300 |
| Phase difference A und B | [°] | 90 |

Measuring/setting range

Resolution 3600 resolution

Operating conditions

| | | |
|-----------------------------|------|-------------------------------|
| Ambient temperature | [°C] | -30...100 |
| Note on ambient temperature | | for firmly laid cable: -30 °C |
| Storage temperature | [°C] | -30...100 |
| Max. relative air humidity | [%] | 98 |
| Protection | | IP 64 |

RU1215



Incremental encoder with solid shaft

RU-3600-I05/S1

Tests / approvals

| | | |
|----------------------|---------|---------------------|
| Shock resistance | | 100 g (6 ms) |
| Vibration resistance | | 10 g (55...2000 Hz) |
| MTTF | [years] | 190 |

Mechanical data

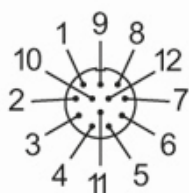
| | | |
|---|---------|----------------|
| Weight | [g] | 490 |
| Dimensions | [mm] | Ø 58 / L = 46 |
| Materials | | aluminium |
| Max. revolution, mechanical | [U/min] | 12000 |
| Max. starting torque | [Nm] | 1 |
| Reference temperature torque | [°C] | 20 |
| Shaft design | | solid shaft |
| Shaft diameter | [mm] | 6 |
| Shaft material | | steel (1.4104) |
| Max. shaft load axial (at the shaft end) | [N] | 10 |
| Max. shaft load radial (at the shaft end) | [N] | 20 |
| Fixing flange | | synchro-flange |

Electrical connection

Cable: 1 m, PUR; axial

| | |
|--------|------------------|
| 1 | B inverted |
| 2 | L+ sensor |
| 3 | 0 index |
| 4 | 0 index inverted |
| 5 | A |
| 6 | A inverted |
| screen | housing |
| 7 | failure inverted |
| 8 | B |
| 9 | n.c. |
| 10 | 0V (Un) |
| 11 | 0V sensor |
| 12 | L+ |

Connector: 1 x M23 (ifm 1001.6)



RU1215

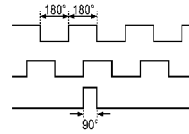


Incremental encoder with solid shaft

RU-3600-I05/S1

Diagrams and graphs

Pulse diagram



Output A

Output B

0 index

Status Archive

/RUP500 + E12460