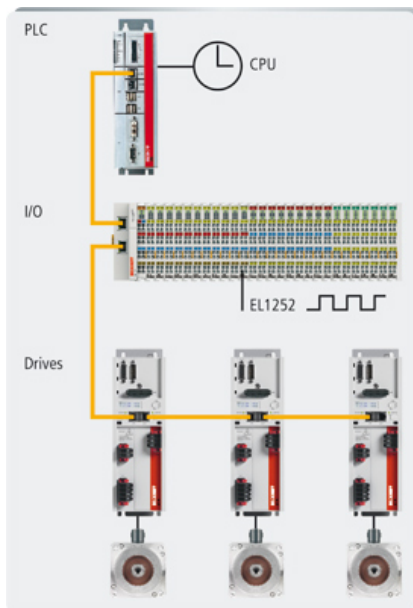




TF6225 | TC3 EtherCAT External Sync

TC3 EtherCAT External Sync extends the TwinCAT EtherCAT master with an option to synchronise the Beckhoff real-time communication with external digital signals. The digital signals are read via terminals supporting timestamping, such as the EL1252 EtherCAT Terminal.



Technical data	TF6225
Required	TC1100
Target system	Windows XP, Windows 7/8/10, Windows CE

Ordering information	
TF6225-0040	TC3 EtherCAT External Sync, platform 40 (Performance)
TF6225-0050	TC3 EtherCAT External Sync, platform 50 (Performance Plus)
TF6225-0060	TC3 EtherCAT External Sync, platform 60 (Mid Performance)
TF6225-0070	TC3 EtherCAT External Sync, platform 70 (High Performance)
TF6225-0080	TC3 EtherCAT External Sync, platform 80 (Very High Performance)
TF6225-0081	TC3 EtherCAT External Sync, platform 81 (Many-core 5...8 cores)
TF6225-0082	TC3 EtherCAT External Sync, platform 82 (Many-core 9...16 cores)
TF6225-0083	TC3 EtherCAT External Sync, platform 83 (Many-core 17...32 cores)
TF6225-0084	TC3 EtherCAT External Sync, platform 84 (Many-core 33...64 cores)
TF6225-0090	TC3 EtherCAT External Sync, platform 90 (Other)
TF6225-0091	TC3 EtherCAT External Sync, platform 91 (Other 5...8 cores)
TF6225-0092	TC3 EtherCAT External Sync, platform 92 (Other 9...16 cores)
TF6225-0093	TC3 EtherCAT External Sync, platform 93 (Other 17...32 cores)
TF6225-0094	TC3 EtherCAT External Sync, platform 94 (Other 33...64 cores)