



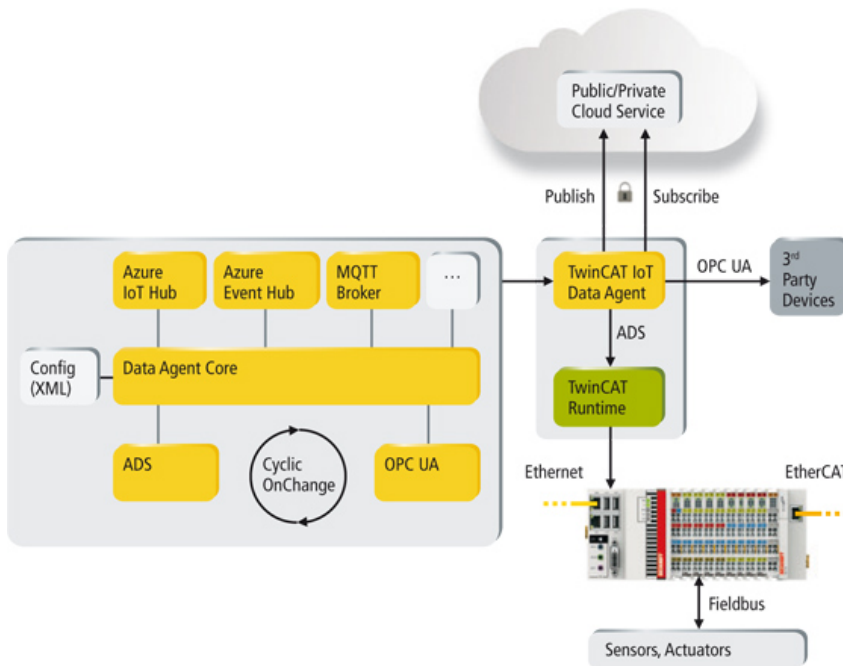
i TF6720 | TC3 IoT Data Agent

The TC3 IoT Data Agent provides IoT communication functions bi-directional in the form of a gateway application that can be configured and operated independently from the TwinCAT real-time environment.

The data agent picks up configured process data and transmits it to a specific communication or data service in the Microsoft Azure or Amazon Web Services (AWS) cloud, or it sends the process data to an MQTT or AMQP message broker. To pick up the process data, both TwinCAT ADS and the OPC UA IEC standard with their security mechanisms are available. This ensures data protection down to the controller or the respective end device.

To reduce the amount of traffic and associated costs, the data agent supports advanced sampling mechanisms, such as on-data-change transmissions.

If the connection is interrupted, buffering algorithms are available to prevent the loss of data. The entire parameterisation of the data agent can be done via a graphical editor. This makes it easy to use and reduces set-up times when commissioning the system.



Technical data	TF6720
Required	TC1000
Target system	Windows 7/8/10, Windows CE

Ordering information	
TF6720-0020	TC3 IoT Data Agent, platform 20 (Economy)
TF6720-0030	TC3 IoT Data Agent, platform 30 (Economy)
TF6720-0040	TC3 IoT Data Agent, platform 40 (Performance)
TF6720-0050	TC3 IoT Data Agent, platform 50 (Performance Plus)
TF6720-0060	TC3 IoT Data Agent, platform 60 (Mid Performance)
TF6720-0070	TC3 IoT Data Agent, platform 70 (High Performance)
TF6720-0080	TC3 IoT Data Agent, platform 80 (Very High Performance)
TF6720-0081	TC3 IoT Data Agent, platform 81 (Many-core 5...8 cores)
TF6720-0082	TC3 IoT Data Agent, platform 82 (Many-core 9...16 cores)
TF6720-0083	TC3 IoT Data Agent, platform 83 (Many-core 17...32 cores)
TF6720-0084	TC3 IoT Data Agent, platform 84 (Many-core 33...64 cores)
TF6720-0090	TC3 IoT Data Agent, platform 90 (Other)
TF6720-0091	TC3 IoT Data Agent, platform 91 (Other 5...8 cores)
TF6720-0092	TC3 IoT Data Agent, platform 92 (Other 9...16 cores)
TF6720-0093	TC3 IoT Data Agent, platform 93 (Other 17...32 cores)
TF6720-0094	TC3 IoT Data Agent, platform 94 (Other 33...64 cores)

Further Packs	
TF6721-00pp	TC3 IoT Data Agent Gate Pack 4
TF6722-00pp	TC3 IoT Data Agent Gate Pack 16
TF6723-00pp	TC3 IoT Data Agent Gate Pack 64
TF6724-00pp	TC3 IoT Data Agent Gate Pack 256

i Product announcement	estimated market release for Windows 7/8/10 devices 1st quarter 2018, estimated market release for Windows CE devices 2nd quarter 2018
--------------------------------------	--