

Switch disconnecter 100 A, Size 2, 3-pole Front operating mechanism left Basic unit without handle Box terminal



Model	
Product brand name	SETRON
Product designation	3KD switch disconnecter
Design of the product	Switch
Display version / for switch position indicator door-coupling rotary operating mechanism	ON-OFF
Design of the operating mechanism	Without handle
Type of the driving mechanism / motor drive	No

General technical data	
Number of poles	3
Type of device	fixed mounting
Size of switch disconnecter	2
Electrical endurance (switching cycles)	
<ul style="list-style-type: none"> • at AC-23 A / at 690 V / at 50/60 Hz 	1 500
<ul style="list-style-type: none"> • at DC-23 A / at 440 V 	1 500
<ul style="list-style-type: none"> • I²t value / with closed switch / for combination switch + fuse / at 500 V / maximum 	135 600 A ² ·s
<ul style="list-style-type: none"> • I²t value / with closed switch / for combination switch + fuse / at 400 V / maximum 	135 600 A ² ·s

<ul style="list-style-type: none"> • I2t value / with closed switch / at 690 V / for combination switch + gG fuse / maximum 	178 300 A ² ·s
<ul style="list-style-type: none"> • I2t value / with closed switch / at 690 V / for combination switch + aM fuse / maximum 	201 200 A ² ·s
<ul style="list-style-type: none"> • I2t value / of the fuse / at 500 V / maximum permissible 	223 005 A ² ·s
<ul style="list-style-type: none"> • I2t value / of the gG fuse / at 690 V / maximum permissible 	226 005 A ² ·s
circuit-breaker / Design	3KD3
Mechanical service life (switching cycles) / typical	15 000
Position / of the switch operating mechanism	at the left end
Overvoltage category	III

Voltage

Operating voltage / with current paths in series	
<ul style="list-style-type: none"> • with degree of pollution 2 / at DC / rated value / Note 	440 V / 3
<ul style="list-style-type: none"> • with degree of pollution 3 / at DC / rated value / Note 	440 / 3
Insulation voltage	
<ul style="list-style-type: none"> • rated value 	1 000 V
Surge voltage resistance / rated value	8 kV
Overvoltage in percent / relative to the operating voltage / at AC / at 50/60 Hz	10 %

Protection class

Protection class IP	IP20
Protection class IP	
<ul style="list-style-type: none"> • with closed switch / with cover or cable lug cover 	IP20
<ul style="list-style-type: none"> • on the front 	IP20

Dissipation

Power loss [W]	
<ul style="list-style-type: none"> • with conventional rated thermal current / per pole 	1.8 W
<ul style="list-style-type: none"> • with conventional rated thermal current / per device 	5.4 W
<ul style="list-style-type: none"> • for rated value of the current / at AC / in hot operating state / per pole 	1.8 W

Electricity

Operating current	
<ul style="list-style-type: none"> • at AC-21 A / at 400 V / maximum 	100 A
<ul style="list-style-type: none"> • at AC-21 A / at 500 V / maximum 	100 A
<ul style="list-style-type: none"> • at AC-21 A / at 690 V / maximum 	100 A

• at AC-23 A / at 500 V / at 50/60 Hz / rated value / maximum	100 A
• at AC-22 A / at 500 V / at 50/60 Hz / rated value / maximum	100 A
• at AC-22 A / at 400 V / at 50/60 Hz / rated value / maximum	100 A
• at AC-22 A / at 690 V / at 50/60 Hz / rated value / maximum	100 A
• at AC-23 A / at 400 V / at 50/60 Hz / rated value / maximum	100 A
• at AC-23 A / at 690 V / at 50/60 Hz / rated value / maximum	100 A
• at DC-23 A / at 440 V / rated value / maximum	100 / 3
• at DC-23 A / at 220 V / rated value / maximum	100 / 2
• at DC-22 A / at 440 V / rated value / maximum	100 / 3
• at DC-22 A / at 220 V / rated value / maximum	100 / 2
• at DC-21 A / at 440 V / rated value / maximum	100 / 3
• at DC-21 A / at 220 V / maximum	100 / 2
Current / at AC / rated value	100 A
Continuous current	
• rated value	100 A
• at 40 °C / rated value	100 A
• at 45 °C / rated value	100 A
• at 50 °C / rated value	100 A
• at 55 °C / rated value	100 A
• at 60 °C / rated value	100 A
• at 65 °C / rated value	100 A
• at 70 °C / rated value	100 A
Continuous current / at DC / rated value	100 A
Let-through current / of the fuse / at 500 V / maximum permissible	18 005 A
Let-through current / of the gG fuse / at 690 V / maximum permissible	16 005 A
Let-through current / with closed switch	
• at 690 V / for combination switch + aM fuse / maximum permissible	17 600 A
• at 690 V / for combination switch + gG fuse / maximum permissible	18 700 A
• for combination switch + fuse / at 400 V / maximum permissible	17 900 A
• for combination switch + fuse / at 500 V / maximum permissible	17 900 A
Short-time current resistance (I _{cw})	

- at 690 V AC/440 V DC / limited to 1 s / rated value 4 kA

Main circuit

Operating power	
<ul style="list-style-type: none"> • at AC-23 A / at 400 V / at 50/60 Hz / rated value 	55 kW
<ul style="list-style-type: none"> • at AC-23 A / at 500 V / at 50/60 Hz / rated value 	55 kW
<ul style="list-style-type: none"> • at AC-23 A / at 690 V / at 50/60 Hz / rated value 	90 kW
Operating voltage	
<ul style="list-style-type: none"> • at AC / at 50/60 Hz / rated value 	690 V

Auxiliary circuit

Number of connected NC contacts / for auxiliary contacts	0
Number of connected NO contacts / for auxiliary contacts	0
Number of connected CO contacts / for auxiliary contacts	0
Number of CO contacts / for auxiliary contacts	4
Number of NC contacts / for auxiliary contacts	0
Number of NO contacts / for auxiliary contacts	0

Suitability

Suitability for use	
<ul style="list-style-type: none"> • Main switch 	Yes
<ul style="list-style-type: none"> • switch disconnecter 	Yes
<ul style="list-style-type: none"> • EMERGENCY OFF switch 	Yes
<ul style="list-style-type: none"> • safety switch 	Yes
<ul style="list-style-type: none"> • maintenance/repair switch 	Yes

Product details

Product feature / interlock	No
Product component	
<ul style="list-style-type: none"> • Trip indicator 	No
<ul style="list-style-type: none"> • Voltage trigger 	No
<ul style="list-style-type: none"> • undervoltage release 	No
<ul style="list-style-type: none"> • undervoltage release with leading contact 	No
Product extension	
<ul style="list-style-type: none"> • Auxiliary switch 	Yes
<ul style="list-style-type: none"> • optional 	
<ul style="list-style-type: none"> — motor drive 	No
<ul style="list-style-type: none"> — Voltage trigger 	No

Short circuit

Short-circuit current making capacity (Icm)

<ul style="list-style-type: none"> • for switch disconnecter / at 690 V AC/440 V DC / without fuse link / rated value / minimum 	12 kA
<ul style="list-style-type: none"> • for switch disconnecter / without fuse link / rated value / minimum 	12 kA
Conditional short-circuit current / with line-side fuse protection	
<ul style="list-style-type: none"> • at 500 V / by gG fuse / rated value 	100 kA

Connections

<ul style="list-style-type: none"> • Type of connectable conductor cross-sections / for copper conductor / solid 	1x (2.5 ... 16 mm ²)
<ul style="list-style-type: none"> • Type of connectable conductor cross-sections / for copper conductor / finely stranded / with core end processing 	1x (2.5 ... 70 mm ²)
<ul style="list-style-type: none"> • Type of connectable conductor cross-sections / for copper conductor / stranded 	1x (10 ... 70 mm ²)
Type of electrical connection	
<ul style="list-style-type: none"> • for main current circuit 	box terminal

Mechanical Design

Height	126 mm
Width	121 mm
Depth	68 mm
Mounting position	any
Mounting type	Screw fixing and standard rail mounting 35 mm
Mounting type	
<ul style="list-style-type: none"> • front mounting with 4-hole attachment 	No
<ul style="list-style-type: none"> • front mounting with central attachment 	No
<ul style="list-style-type: none"> • rail mounting 	Yes
Net weight	850 g

Environmental conditions

Degree of pollution	3
Ambient temperature	
<ul style="list-style-type: none"> • during operation / minimum 	-25 °C
<ul style="list-style-type: none"> • during operation / maximum 	70 °C
<ul style="list-style-type: none"> • during storage / minimum 	-50 °C
<ul style="list-style-type: none"> • during storage / maximum 	80 °C

Certificates

Reference code	
<ul style="list-style-type: none"> • acc. to DIN EN 61346-2 	Q
<ul style="list-style-type: none"> • acc. to DIN EN 81346-2 	Q

General Product Approval	Declaration of Con- formity	Shipping Approval
--------------------------	--------------------------------	-------------------



VDE

[Miscellaneous](#)



EG-Konf.



LRS

Further information

Information- and Downloadcenter (Catalogs, Brochures,...)

<http://www.siemens.com/lowvoltage/catalogs>

Industry Mall (Online ordering system)

<https://mall.industry.siemens.com/mall/en/en/Catalog/product?mlfb=3KD3030-2NE10-0>

Service&Support (Manuals, Certificates, Characteristics, FAQs,...)

<https://support.industry.siemens.com/cs/ww/en/ps/3KD3030-2NE10-0>

Image database (product images, 2D dimension drawings, 3D models, device circuit diagrams, ...)

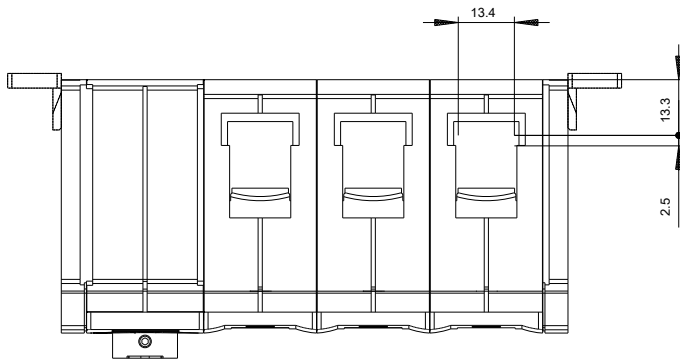
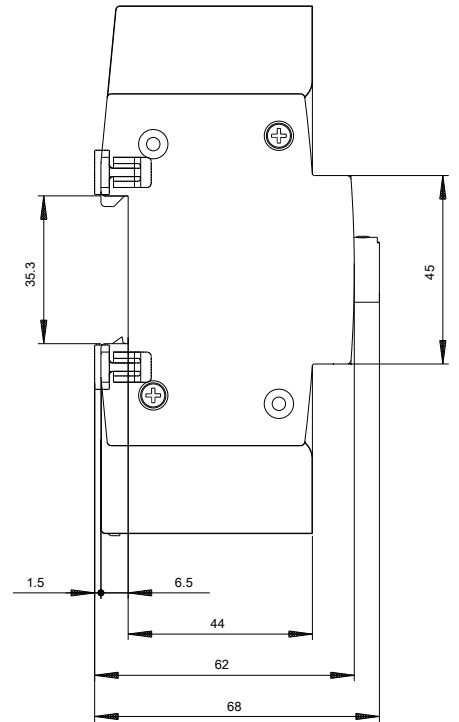
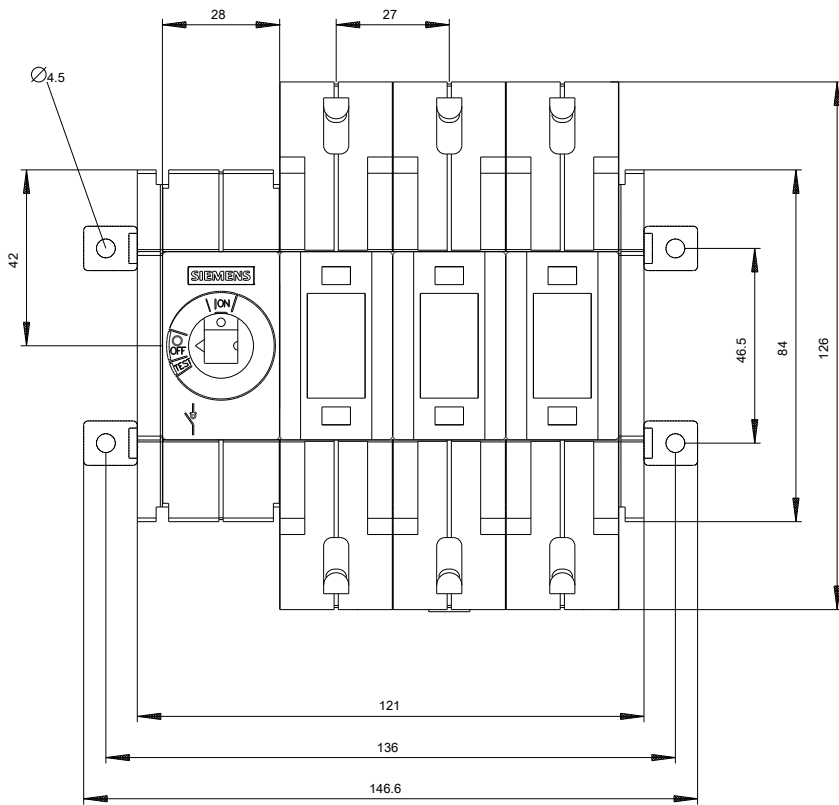
http://www.automation.siemens.com/bilddb/cax_en.aspx?mlfb=3KD3030-2NE10-0

CAX-Online-Generator

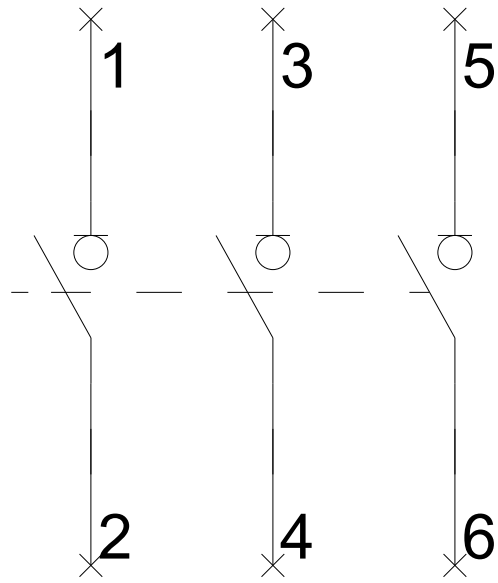
<http://www.siemens.com/cax>

Tender specifications

<http://www.siemens.com/specifications>



-Q



-CR

