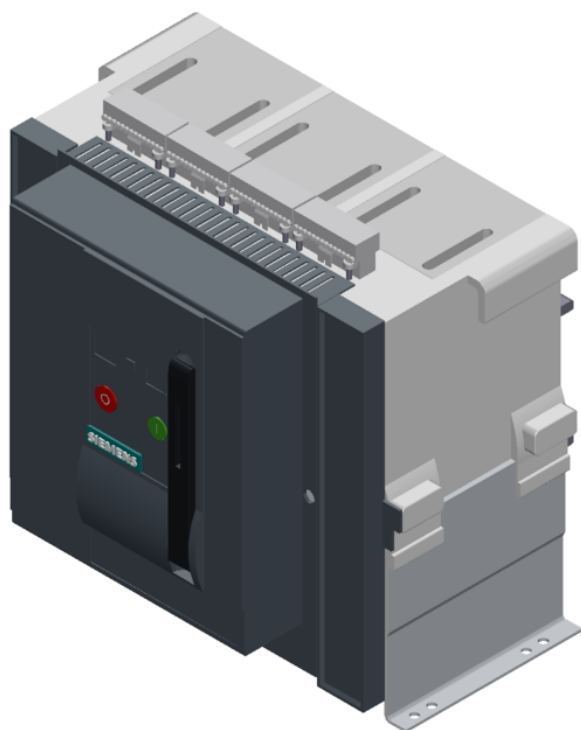


fixed-mount non-aut. circuit-b. 3-pole, size II, IEC
In=2000A to 690V, AC50/60Hz Icu=66kA at 500V rear
connection horizontal without overcurrent release
Motorized/manual operating mechanism with memory
Drive motor 24-30 V DC Activation 24 V DC without 1st
auxiliary release With 2nd auxiliary release "R", F3
Undervoltage, instant. 24 V DC 2NO+2NC C22= Ready
indicator



Model		
Product brand name		SETRON
Product designation		ACB
Design of the product		IEC 60947-2
Design of the auxiliary switch		2 NO + 2 NC
Design of the operating mechanism		Pushbutton
Type of the driving mechanism		Manual/motorized operating mechanism with mechanical and electrical closing
Type of the driving mechanism / motor drive		Yes
Design of the overcurrent release		without

General technical data		
Number of poles		3
Size of the circuit-breaker		2
Electrical endurance (switching cycles) / typical		15 000
Usage category		B
circuit-breaker / Design		3WL1
Mechanical service life (switching cycles) / typical		15 000

Voltage		
Rated insulation voltage U_i	V	1 000

Protection class		
Protection class IP		IP20
Protective function of the overcurrent release		without

Dissipation		
Power loss [W] / for rated value of the current / at AC / in hot operating state / per pole	W	60

Electricity		
Operating current / at 45 °C / rated value	A	2 000
Continuous current / rated value	A	2 000
Short-time current resistance (I_{cw})		
• limited to 0.5 s / rated value	kA	66
• limited to 1 s / rated value	kA	55
• limited to 2 s / rated value	kA	39
• limited to 3 s / rated value	kA	32

Main circuit		
Operating frequency		
• 1 / rated value	Hz	50
• 2 / rated value	Hz	60
Operating voltage		
• at AC / at 50/60 Hz / rated value	V	690
Operating current		
• at 40 °C / rated value	A	2 000

• at 50 °C / rated value	A	2 000
• at 55 °C / rated value	A	2 000
• at 60 °C / rated value	A	2 000
• at 65 °C / rated value	A	2 000
• at 70 °C / rated value	A	2 000

Auxiliary circuit

Number of NC contacts / for auxiliary contacts		2
Number of NO contacts / for auxiliary contacts		2

Suitability

Suitability for use		Contact unit without release
---------------------	--	------------------------------

Product details

Product component		
• Trip indicator		No
• Voltage trigger		No
• undervoltage release		Yes
Product extension / optional / motor drive		No

Product function

Product function		
• Ground fault protection		No

Display and operation

Display version		without display
-----------------	--	-----------------

Short circuit

Operational short-circuit current breaking capacity (Ics)		
• at 415 V / rated value	kA	66
• at 500 V / rated value	kA	66
• at 690 V / rated value	kA	50
Maximum short-circuit current breaking capacity (Icu)		
• at 415 V / rated value	kA	66
• at 500 V / rated value	kA	66
• at 690 V / rated value	kA	50

Connections

Type of electrical connection / for main current circuit		busbar connection
--	--	-------------------

Mechanical Design





Height	mm	440.5
Width	mm	460
Depth	mm	337
Mounting type		fixed mounting

Environmental conditions

Ambient temperature		
• during operation / minimum	°C	-25
• during operation / maximum	°C	70
• during storage / minimum	°C	-40
• during storage / maximum	°C	70

Certificates

Reference code		
• acc. to DIN EN 61346-2		Q
• acc. to DIN EN 81346-2		Q

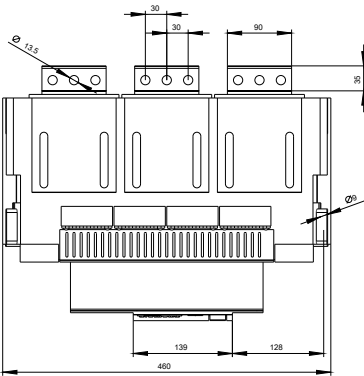
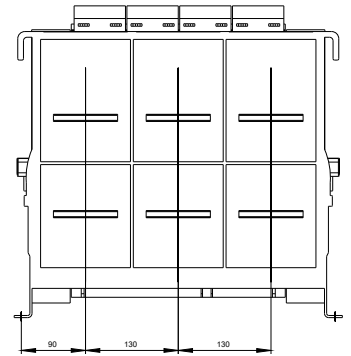
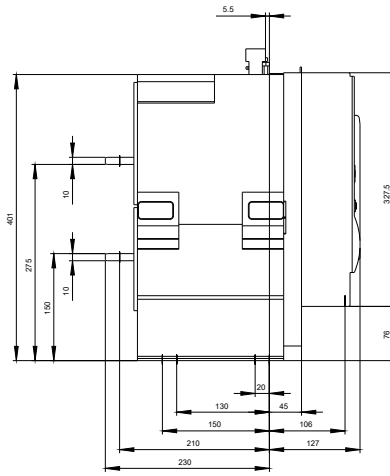
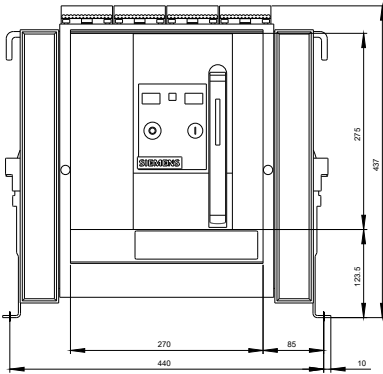
General Product Approval	Declaration of Conformity	Test Certificates	Shipping Approval
 CCC	 VDE	 EG-Konf.	Special Test Certificate Miscellaneous  ABS

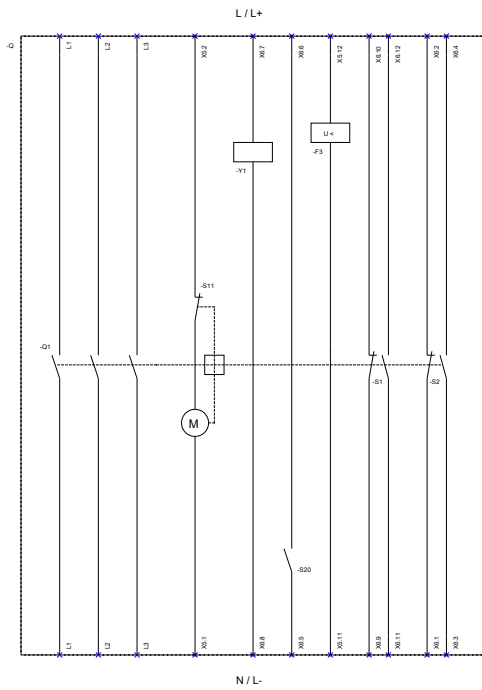
Shipping Approval	other
 BUREAU VERITAS VERITAS	 GL
 Lloyd's Register LRS	 PRS
 RMRS	Environmental Confirmations

other
Miscellaneous

Further information

- Industry Mall (Online ordering system)**
<https://mall.industry.siemens.com/mall/en/en/Catalog/product?mlfb=3WL1220-2AA32-6AJ2-Z C22>
- Service&Support (Manuals, Certificates, Characteristics, FAQs,...)**
<https://support.industry.siemens.com/cs/ww/en/ps/3WL1220-2AA32-6AJ2-Z C22>
- Image database (product images, 2D dimension drawings, 3D models, device circuit diagrams, ...)**
http://www.automation.siemens.com/bilddb/cax_en.aspx?mlfb=3WL1220-2AA32-6AJ2-Z C22
- CAX-Online-Generator**
<http://www.siemens.com/cax>
- Tender specifications**
<http://www.siemens.com/specifications>





S11 (Internal motor shutdown switch, if spring is tensioned / Interner Motorabstellschalter, wenn Feder gespannt);
 F3 (Undervoltage release / Unterspannungsauslöser); S1 - S8 (Auxiliary switch / Hilfschalter);
 S20 (Ready to close signaling switch / Einschaltbereitschaftsmeldehalter); Y1 (Closing coil / Einschaltmagnet);

last modified:

11/14/2018