

Switch disconnecter 250 A, Size 3, 3-pole Lateral operating mechanism left Basic unit without handle flat terminal



Model	
Product brand name	SENTRON
Product designation	3KD switch disconnecter
Design of the product	Switch
Display version / for switch position indicator door-coupling rotary operating mechanism	ON-OFF
Design of the operating mechanism	Without handle
Type of the driving mechanism / motor drive	No
General technical data	
Number of poles	3
Type of device	fixed mounting
Size of switch disconnecter	3
Electrical endurance (switching cycles)	
• at AC-23 A / at 690 V / at 50/60 Hz	1 000
• at DC-23 A / at 440 V	1 000
I ² t value	
• with closed switch / for combination switch + fuse / at 500 V / maximum	426 500 A ² ·s

<ul style="list-style-type: none"> • with closed switch / for combination switch + fuse / at 400 V / maximum 	426 500 A ² ·s
<ul style="list-style-type: none"> • with closed switch / at 690 V / for combination switch + gG fuse / maximum 	348 000 A ² ·s
circuit-breaker / Design	3KD3
Mechanical service life (switching cycles) / typical	10 000
Position / of the switch operating mechanism	at the left end
Overvoltage category	IV

Voltage

Operating voltage / with current paths in series	
<ul style="list-style-type: none"> • with degree of pollution 2 / at DC / rated value / Note 	440 V / 3
<ul style="list-style-type: none"> • with degree of pollution 3 / at DC / rated value / Note 	440 / 3
Insulation voltage	
<ul style="list-style-type: none"> • rated value 	1 000 V
Surge voltage resistance / rated value	12 kV
Overvoltage in percent / relative to the operating voltage / at AC / at 50/60 Hz	10 %
Current / at AC / rated value	250 A

Protection class

Protection class IP	IP00
Protection class IP	
<ul style="list-style-type: none"> • with closed switch / with cover or cable lug cover 	IP20
<ul style="list-style-type: none"> • on the front 	IP00

Dissipation

Power loss [W]	
<ul style="list-style-type: none"> • with conventional rated thermal current / per pole 	6 W
<ul style="list-style-type: none"> • with conventional rated thermal current / per device 	18 W
<ul style="list-style-type: none"> • for rated value of the current / at AC / in hot operating state / per pole 	6 W

Electricity

Operating current	
<ul style="list-style-type: none"> • at AC-21 A / at 400 V / maximum 	250 A
<ul style="list-style-type: none"> • at AC-21 A / at 500 V / maximum 	250 A
<ul style="list-style-type: none"> • at AC-21 A / at 690 V / maximum 	250 A
<ul style="list-style-type: none"> • at AC-23 A / at 500 V / at 50/60 Hz / rated value / maximum 	250 A

• at AC-22 A / at 500 V / at 50/60 Hz / rated value / maximum	250 A
• at AC-22 A / at 400 V / at 50/60 Hz / rated value / maximum	250 A
• at AC-22 A / at 690 V / at 50/60 Hz / rated value / maximum	250 A
• at AC-23 A / at 400 V / at 50/60 Hz / rated value / maximum	250 A
• at AC-23 A / at 690 V / at 50/60 Hz / rated value / maximum	250 A
• at DC-23 A / at 440 V / rated value / maximum	250 / 3
• at DC-23 A / at 220 V / rated value / maximum	250 / 2
• at DC-22 A / at 440 V / rated value / maximum	250 / 3
• at DC-22 A / at 220 V / rated value / maximum	250 / 2
• at DC-21 A / at 440 V / rated value / maximum	250 / 3
• at DC-21 A / at 220 V / maximum	250 / 2
Continuous current	
• rated value	250 A
• at 40 °C / rated value	250 A
• at 45 °C / rated value	250 A
• at 50 °C / rated value	250 A
• at 55 °C / rated value	250 A
• at 60 °C / rated value	250 A
• at 65 °C / rated value	250 A
• at 70 °C / rated value	250 A
Continuous current / at DC / rated value	250 A
Let-through current / with closed switch	
• at 690 V / for combination switch + gG fuse / maximum permissible	22 700 A
• for combination switch + fuse / at 400 V / maximum permissible	25 100 A
• for combination switch + fuse / at 500 V / maximum permissible	25 100 A
Short-time current resistance (I _{cw})	
• at 690 V AC/440 V DC / limited to 1 s / rated value	13 kA
Main circuit	
Operating power	
• at AC-23 A / at 400 V / at 50/60 Hz / rated value	132 kW
• at AC-23 A / at 500 V / at 50/60 Hz / rated value	160 kW
• at AC-23 A / at 690 V / at 50/60 Hz / rated value	250 kW
Operating voltage	
• at AC / at 50/60 Hz / rated value	690 V

Auxiliary circuit	
Number of connected NC contacts / for auxiliary contacts	0
Number of connected NO contacts / for auxiliary contacts	0
Number of connected CO contacts / for auxiliary contacts	0
Number of CO contacts / for auxiliary contacts	0
Number of NC contacts / for auxiliary contacts	6
Number of NO contacts / for auxiliary contacts	6
Suitability	
Suitability for use	
• Main switch	Yes
• switch disconnecter	Yes
• EMERGENCY OFF switch	Yes
• safety switch	Yes
• maintenance/repair switch	Yes
Product details	
Product feature / interlock	No
Product component	
• Trip indicator	No
• Voltage trigger	No
• undervoltage release	No
• undervoltage release with leading contact	No
Product extension	
• Auxiliary switch	Yes
• optional	
— motor drive	No
— Voltage trigger	No
Short circuit	
Short-circuit current making capacity (I _{cm})	
• for switch disconnecter / at 690 V AC/440 V DC / without fuse link / rated value / minimum	26 kA
Conditional short-circuit current / with line-side fuse protection	
• at 500 V / by gG fuse / rated value	100 kA
Connections	
• Type of connectable conductor cross-sections / for aluminum conductor / stranded / with lug	1x (25 ... 240 mm ²), 2x (25 ... 120 mm ²)

- Type of connectable conductor cross-sections / for copper conductor / stranded / with lug / acc. to DIN 46235

1x (16 ... 185 mm²), 2x (16 ... 150 mm²)

Type of electrical connection

- for main current circuit

flat connector

Mechanical Design




Height	164 mm
Width	198.5 mm
Depth	95 mm
Mounting type	screw fixing
Mounting type	
<ul style="list-style-type: none"> • front mounting with 4-hole attachment 	No
<ul style="list-style-type: none"> • front mounting with central attachment 	No
<ul style="list-style-type: none"> • rail mounting 	No
Mounting position	any
Net weight	2 350 g

Environmental conditions

Ambient temperature	
	-25 ... +70 °C
	-50 ... +80 °C

Certificates

Reference code	
<ul style="list-style-type: none"> • acc. to DIN EN 61346-2 	Q
<ul style="list-style-type: none"> • acc. to DIN EN 81346-2 	Q

General Product Approval	Declaration of Conformity	Shipping Approval	other
 CCC	 EG-Konf.	 LRS	Miscellaneous



[Miscellaneous](#)

[Miscellaneous](#)

Further information

Information- and Downloadcenter (Catalogs, Brochures,...)

<http://www.siemens.com/lowvoltage/catalogs>

Industry Mall (Online ordering system)

<https://mall.industry.siemens.com/mall/en/en/Catalog/product?mlfb=3KD3834-0PE10-0>

Service&Support (Manuals, Certificates, Characteristics, FAQs,...)

<https://support.industry.siemens.com/cs/ww/en/ps/3KD3834-0PE10-0>

Image database (product images, 2D dimension drawings, 3D models, device circuit diagrams, ...)

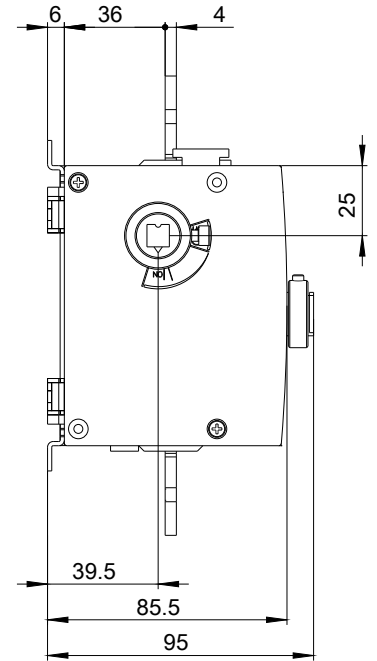
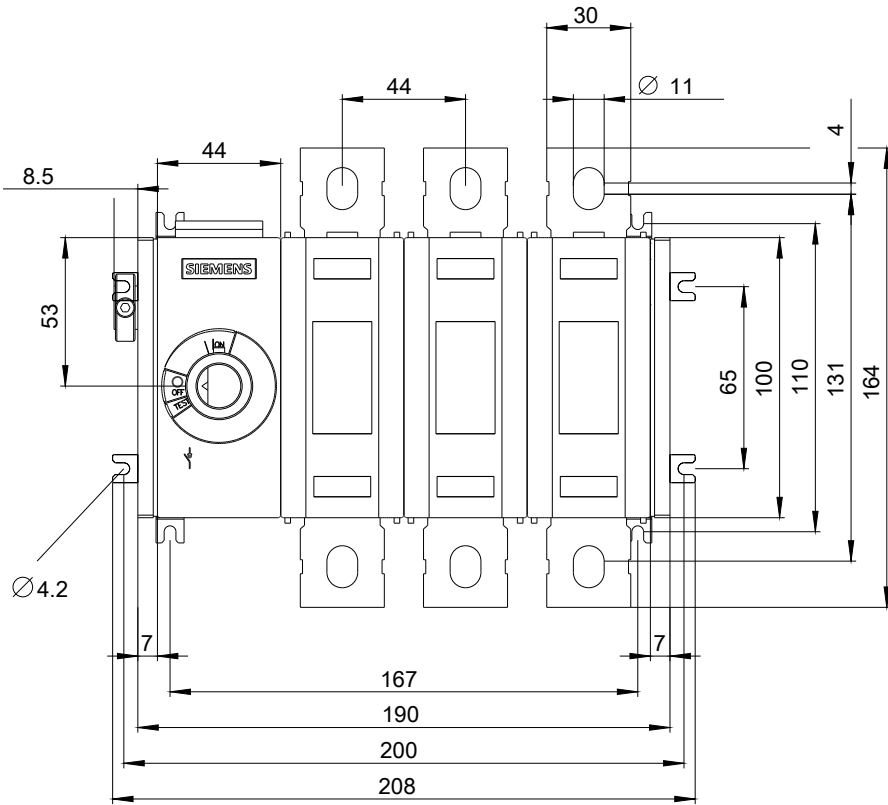
http://www.automation.siemens.com/bilddb/cax_en.aspx?mlfb=3KD3834-0PE10-0

CAX-Online-Generator

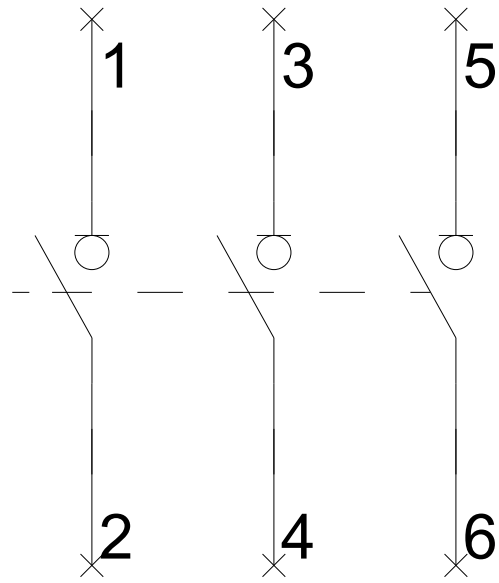
<http://www.siemens.com/cax>

Tender specifications

<http://www.siemens.com/specifications>



-Q



-CR

