

Pushbutton, 30 mm, round, metal, matte, green, front ring for flush installation, momentary contact type



|                          |                             |
|--------------------------|-----------------------------|
| Product brand name       | SIRIUS ACT                  |
| Product designation      | Pushbuttons                 |
| Design of the product    | Actuating/signaling element |
| Product type designation | 3SU1                        |

| Enclosure                |   |
|--------------------------|---|
| Number of command points | 1 |

| Actuator                                    |                        |
|---|------------------------|
| Design of the operating mechanism           | Flat button            |
| Manner of function of the actuating element | Momentary contact type |
| Product extension optional Light source     | No                     |
| Color                                       |                        |
| • of the actuating element                  | Green                  |
| Material of the actuating element           | plastic                |
| Shape of the actuating element              | round                  |
| Outer diameter of the actuating element     | 38 mm                  |

| Front ring                   |      |
|------------------------------|------|
| Product component front ring | Yes  |
| Design of the front ring     | Flat |

|                                   |             |
|-----------------------------------|-------------|
| <b>Material of the front ring</b> | Metal, matt |
| <b>Color of the front ring</b>    | sand gray   |

### General technical data

|   |  |
|---|--|
| <b>Protection class IP</b>  | IP66, IP67, IP69(IP69K)                                  |
| <b>Degree of protection NEMA rating</b>   | NEMA 1, 2, 3, 3R, 4, 4X, 12, 13                          |
| <b>Shock resistance</b>   |  |
| <ul style="list-style-type: none"> <li>• acc. to IEC 60068-2-27</li> <li>• for railway applications acc. to DIN EN 61373</li> </ul> | Sinusoidal half-wave 50 g / 11 ms<br>Category 1, Class B |
| <b>Operating frequency maximum</b>  | 3 600 1/h  |
| <b>Mechanical service life (switching cycles)</b>   |  |
| <ul style="list-style-type: none"> <li>• typical</li> </ul>   | 10 000 000   |
| <b>Reference code acc. to DIN EN 81346-2</b>  | S  |
| <b>Reference code acc. to DIN EN 61346-2</b>  | S  |

### Ambient conditions

|  |   |
|--|---|
| <b>Ambient temperature</b>   |   |
| <ul style="list-style-type: none"> <li>• during operation</li> <li>• during storage</li> </ul> | -25 ... +70 °C<br>-40 ... +80 °C                                    |
| Environmental category during operation acc. to IEC 60721                                      | 3M6, 3S2, 3B2, 3C3, 3K6 (with relative air humidity of 10 ... 95 %) |

### Installation/ mounting/ dimensions

|  |         |
|--|---------|
| <b>(height)</b>                                    | 38 mm   |
| <b>Width</b>                                       | 38 mm   |
| <b>Shape of the installation opening</b>           | round   |
| <b>(mounting diameter)</b>                         | 30.5 mm |
| <b>Positive tolerance of installation diameter</b> | 0.5 mm  |
| <b>Mounting height</b>                             | 4.2 mm  |
| <b>Installation width</b>                          | 38 mm   |
| <b>Installation depth</b>                          | 31.1 mm |

### Certificates/approvals

|                          |                           |                   |
|--------------------------|---------------------------|-------------------|
| General Product Approval | Declaration of Conformity | Test Certificates |
|--------------------------|---------------------------|-------------------|



[Miscellaneous](#)

[Special Test Certificate](#)

|                   |                   |
|-------------------|-------------------|
| Test Certificates | Marine / Shipping |
|-------------------|-------------------|

[Type Test Certificates/Test Report](#)



LRS



PRS



RINA



RMRS

|                   |       |
|-------------------|-------|
| Marine / Shipping | other |
|-------------------|-------|



[Confirmation](#)

## Further information

### Information- and Downloadcenter (Catalogs, Brochures,...)

<http://www.siemens.com/industrial-controls/catalogs>

### Industry Mall (Online ordering system)

<https://mall.industry.siemens.com/mall/en/en/Catalog/product?mlfb=3SU1060-0JB40-0AA0>

### Cax online generator

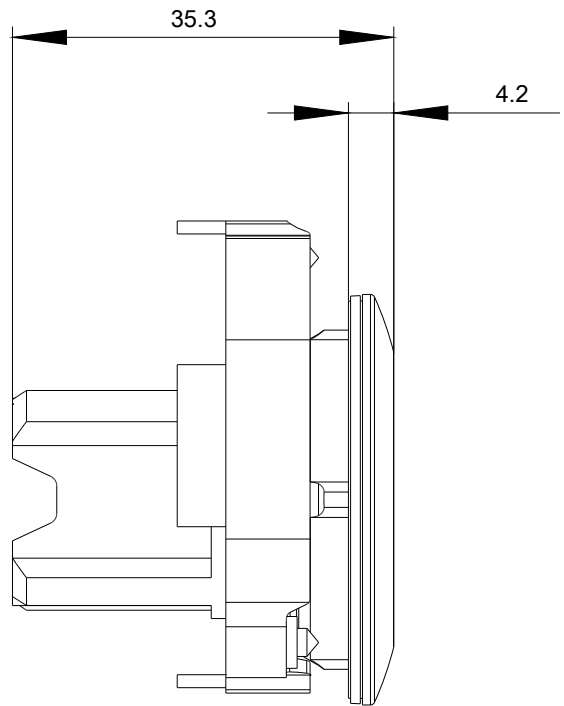
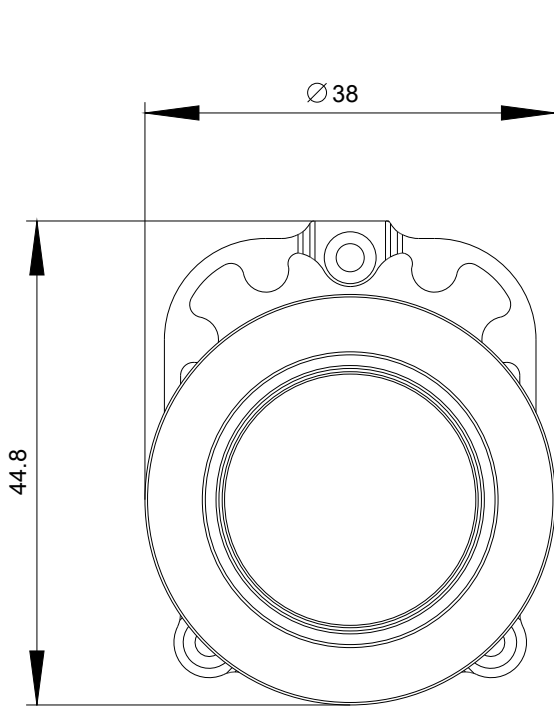
<http://support.automation.siemens.com/WW/CAXorder/default.aspx?lang=en&mlfb=3SU1060-0JB40-0AA0>

### Service&Support (Manuals, Certificates, Characteristics, FAQs,...)

<https://support.industry.siemens.com/cs/ww/en/ps/3SU1060-0JB40-0AA0>

### Image database (product images, 2D dimension drawings, 3D models, device circuit diagrams, EPLAN macros, ...)

[http://www.automation.siemens.com/bilddb/cax\\_de.aspx?mlfb=3SU1060-0JB40-0AA0&lang=en](http://www.automation.siemens.com/bilddb/cax_de.aspx?mlfb=3SU1060-0JB40-0AA0&lang=en)



last modified:

07/26/2019