

ID key-operated switch, 22 mm, round, plastic, black, RFID, 4 switch positions O-I-II-III, operating angle 3x45°, without ID key, Key removal in O+I+II+III



Product brand name	SIRIUS ACT
Product designation	ID key-operated switches
Design of the product	Actuating/signaling element
Product type designation	3SU1

Actuator	
Manner of function of the actuating element	latching
Product extension optional Light source	No
Color	
• of the actuating element	black
Material of the actuating element	plastic
Shape of the actuating element	round
Outer diameter of the actuating element	29.5 mm
Number of switching positions	4
Switch position for key distraction	Key removal possible in all 4 positions

Front ring	
Product component front ring	Yes
Design of the front ring	Standard
Material of the front ring	plastic
Color of the front ring	black

General technical data	
Protection class IP	IP65
Mechanical service life (switching cycles)	
• typical	100 000
Reference code acc. to DIN EN 81346-2	S
Reference code acc. to DIN EN 61346-2	S
Connections/Terminals	
Tightening torque of the screws in the bracket	1 ... 1.2 N·m
Ambient conditions	
Ambient temperature	
• during operation	-25 ... +70 °C
• during storage	-40 ... +80 °C
Environmental category during operation acc. to IEC 60721	3M6, 3S2, 3B2, 3C3, 3K6 (with relative air humidity of 10 ... 95 %)
Installation/ mounting/ dimensions	
Height	29.5 mm
Width	29.5 mm
Mounting diameter	22.3 mm
Positive tolerance of installation diameter	0.4 mm
Mounting height	29.6 mm
Installation width	29.5 mm
Installation depth	29.5 mm
Certificates/approvals	

General Product Approval	Declaration of Conformity	Test Certificates
--------------------------	---------------------------	-------------------



CSA



UL



EG-Konf.

[Miscellaneous](#)

[Type Test Certificates/Test Report](#)

**Marine / Shipping**



ABS



LRS



PRS



RINA



RMRS



DNV-GL  
DNVGL.COM/AF

**other**

[Confirmation](#)

**Further information**

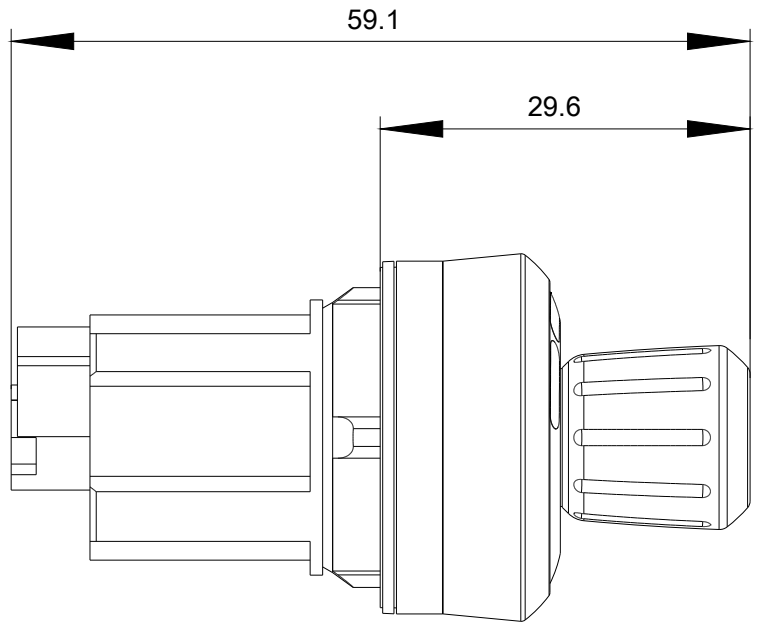
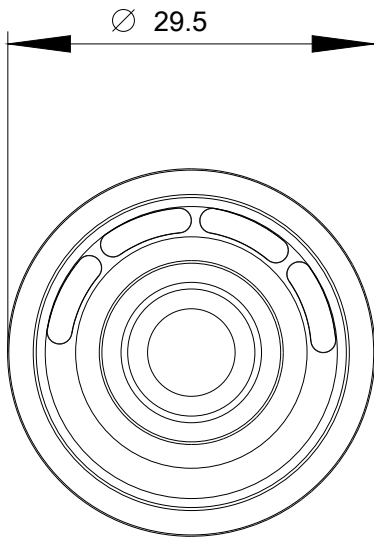
**Information- and Downloadcenter (Catalogs, Brochures,...)**  
<http://www.siemens.com/industrial-controls/catalogs>

**Industry Mall (Online ordering system)**  
<https://mall.industry.siemens.com/mall/en/en/Catalog/product?mlfb=3SU1000-4WS10-0AA0>

**Cax online generator**  
<http://support.automation.siemens.com/WW/CAXorder/default.aspx?lang=en&mlfb=3SU1000-4WS10-0AA0>

**Service&Support (Manuals, Certificates, Characteristics, FAQs,...)**  
<https://support.industry.siemens.com/cs/ww/en/ps/3SU1000-4WS10-0AA0>

**Image database (product images, 2D dimension drawings, 3D models, device circuit diagrams, EPLAN macros, ...)**  
[http://www.automation.siemens.com/bilddb/cax\\_de.aspx?mlfb=3SU1000-4WS10-0AA0&lang=en](http://www.automation.siemens.com/bilddb/cax_de.aspx?mlfb=3SU1000-4WS10-0AA0&lang=en)



last modified:

09/24/2019