



### Main

Range compatibility	Lexium 32 Lexium 62 ILM Lexium 52 Lexium 62
Product or component type	Angular planetary gearbox
Gear box type	Straight teeth
Device short name	GBY
Product compatibility	BMH (70 mm, 1 motor stacks) BMH (70 mm, 2 motor stacks) BMH (70 mm, 3 motor stacks) BSH (70 mm, 1 motor stacks) BSH (70 mm, 2 motor stacks) BSH (70 mm, 3 motor stacks) SH3 MH3 ILM
Gearbox external diameter	80 mm
Reduction ratio	25:1

### Complementary

Maximum torsional backlash	15 arc.min
Torsional rigidity	6.5 N.m/arcmin
Housing colour	Black
Housing material	Black anodized aluminium
Shaft material	C 45
Additional information	Lubricated for life
Service life in hours	30000 h at 100 rpm at 30 °C
Mounting position	Any position
Efficiency	92 %
Maximum radial force Fr	650 N at 100 rpm, force applied at mid-distance from output shaft during 30000 hour at 30 °C
Maximum axial force Fa	900 N at 100 rpm, during 30000 hour at 30 °C

Moment of inertia	0.859 kg.cm <sup>2</sup>
Continuous output torque	110 N.m at 100 rpm at 30 °C
Maximum output torque	176 N.m at 100 rpm at 30 °C
Product weight	5 kg

## Environment

Noise level	73 dB at 1 m, no-load
IP degree of protection	Shaft output: IP54
Ambient temperature for operation	-25...90 °C

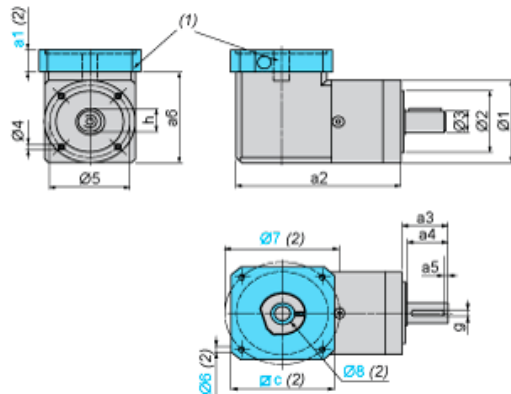
## Offer Sustainability

Sustainable offer status	Green Premium product
REACH Regulation	<a href="#">REACH Declaration</a>
EU RoHS Directive	Pro-active compliance (Product out of EU RoHS legal scope) <a href="#">EU RoHS Declaration</a>
Mercury free	Yes
RoHS exemption information	<a href="#">Yes</a>
China RoHS Regulation	<a href="#">China RoHS declaration</a> Product out of China RoHS scope. Substance declaration for your information
Environmental Disclosure	<a href="#">Product Environmental Profile</a>
Circularity Profile	No need of specific recycling operations

## Contractual warranty

Warranty	18 months
----------	-----------

Dimensions with Servo Motor Adaptation Kit



- (1) GBK adaptation kit  
 (2) GBK adaptation kit related dimensions a1, c, Ø6, Ø7, Ø8 depend on the gearbox and servo motor combination  
 Ø8 shaft end adaptor in case motor shaft diameter is smaller than gearbox input coupling diameter

Values in mm

a2	a3	a4	a5	h	g	Ø1	Ø2	Ø3	Ø4	Ø5	a6
161.5	40	36	4	22.5	6	80	60 h7	20 h7	M6 x 10	70	88.3

Values in in.

a2	a3	a4	a5	h	g	Ø1	Ø2	Ø3	Ø4	Ø5	a6
6.36	1.57	1.42	0.15	0.88	0.19	3.15	2.36 h7	0.78 h7	M6 x 0.39	2.76	3.48