



Main

Range of product	Harmony K
Product or component type	Complete cam switch
Component name	K115
[I _{th}] conventional free air thermal current	115 A
Product mounting	Front mounting
Fixing mode	4 holes
Cam switch head type	With front plate 88 x 88 mm
Type of operator	Black handle
Rotary handle padlocking	Without
Presentation of legend	With metallic legend, 1 - 0 - 2 black marking
Cam switch function	Reversing switch
Return	Without
Off position	With Off position
Poles description	2P
Switching positions	Left: 0° - 300° Right: 0° - 60°
IP degree of protection	IP40 conforming to IEC 529 IP40 conforming to NF C 20-010

Complementary

Switching angle	60 °
[U _i] rated insulation voltage	690 V (pollution degree 3) conforming to EN 60947-1 690 V (pollution degree 3) conforming to IEC 60947-1
Rated operational power in W	13000 W AC-3, 380/440 V 1 phase conforming to EN/IEC 60947-3 15000 W AC-23A, 220/240 V 1 phase conforming to EN/IEC 60947-3 15000 W AC-3, 220/240 V 3 phases conforming to EN/IEC 60947-3 22000 W AC-23A, 380/440 V 1 phase conforming to EN/IEC 60947-3 30000 W AC-23A, 220/240 V 3 phases conforming to EN/IEC 60947-3 30000 W AC-3, 380/440 V 3 phases conforming to EN/IEC 60947-3 30000 W AC-3, 660/690 V 3 phases conforming to EN/IEC 60947-3 3700 W AC-3, 110 V 1 phase conforming to EN/IEC 60947-3 45000 W AC-23A, 380/440 V 3 phases conforming to EN/IEC 60947-3 5500 W AC-23A, 110 V 1 phase conforming to EN/IEC 60947-3 65000 W AC-23A, 660/690 V 3 phases conforming to EN/IEC 60947-3

7500 W AC-3, 220/240 V 1 phase conforming to EN/IEC 60947-3

[I _e] rated operational current AC	100 A AC-21A conforming to EN/IEC 60947-3
Short-circuit current	15000 A
Short-circuit protection	125 A cartridge fuse, type gG
[U _{imp}] rated impulse withstand voltage	6 kV conforming to EN 947-1 6 kV conforming to IEC 947-1
Contact operation	Slow-break
Positive opening	With
Electrical connection	Captive screw clamp terminals flexible, clamping capacity: 1 x 25 mm ² Captive screw clamp terminals solid, clamping capacity: 1 x 35 mm ²
Tightening torque	2.5 N.m
Switching capacity in mA	100000 mA DC at 140 V 3 contact(s) for resistive load (T = 1 ms) 100000 mA DC at 24 V 1 contact(s) for inductive load (T = 50 ms) 100000 mA DC at 48 V 1 contact(s) for resistive load (T = 1 ms) 100000 mA DC at 48 V 2 contact(s) for inductive load (T = 50 ms) 100000 mA DC at 70 V 3 contact(s) for inductive load (T = 50 ms) 100000 mA DC at 95 V 2 contact(s) for resistive load (T = 1 ms) 115000 mA DC at 24 V 1 contact(s) for resistive load (T = 1 ms) 115000 mA DC at 48 V 2 contact(s) for resistive load (T = 1 ms) 115000 mA DC at 70 V 3 contact(s) for resistive load (T = 1 ms) 33000 mA DC at 30 V 1 contact(s) for inductive load (T = 50 ms) 33000 mA DC at 60 V 2 contact(s) for inductive load (T = 50 ms) 33000 mA DC at 90 V 3 contact(s) for inductive load (T = 50 ms)
Mechanical durability	300000 cycles
CAD overall width	88 mm
CAD overall height	88 mm
CAD overall depth	128 mm
Product weight	0.745 kg

Environment

Standards	EN/IEC 60947-3
Product certifications	CULus 120 V 5 hp 1 phase CULus 240 V 10 hp 1 phase CULus 240 V 20 hp 3 phases CULus 480 V 30 hp 3 phases
Protective treatment	TC
Ambient air temperature for operation	-25...55 °C
Ambient air temperature for storage	-40...70 °C
Electrical shock protection class	Class II conforming to IEC 60536 Class II conforming to NF C 20-030

Offer Sustainability

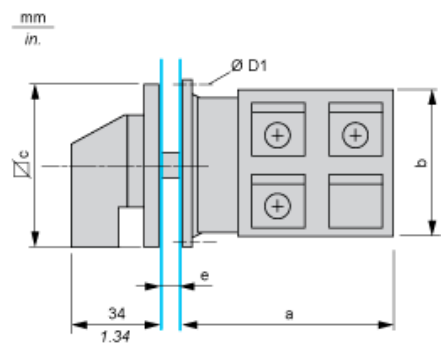
RECh free of SVHC	Yes
EU RoHS Directive	Pro-active compliance (Product out of EU RoHS legal scope) EU RoHS Declaration
Toxic heavy metal free	Yes
Mercury free	Yes
RoHS exemption information	Yes
China RoHS Regulation	China RoHS declaration
WEEE	The product must be disposed on European Union markets following specific waste collection and never end up in rubbish bins

Contractual warranty

Warranty	18 months
----------	-----------

Dimensions

Rear Mounting

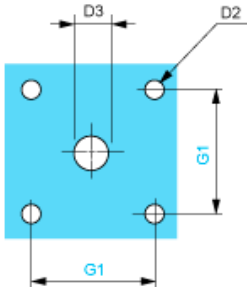


e support panel thickness 0.5 to 5.5 mm / 0.02 to 0.22 in.

a		b		c		D1	
mm	in.	mm	in.	mm	in.	mm	in.
88	3.46	84	3.30	88	3.46	5.4	0.21

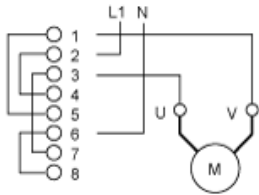
Panel Cut-Out

Front Mounting

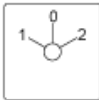


D2		D3		G1	
mm	in.	mm	in.	mm	in.
6	0.24	13	0.51	68	2.68

Link Positions (Factory Mounted)



Marking



Angular Position of Switch



Switching Program



Convention Used for Switching Program Representation

Contact closed

Contact closed in 2 positions and maintained between the 2 positions

Sealed assembly for auto-maintain control

Overlapping contacts

Spring return position: for a switching angle of 90° , spring return is over 30° after the last position (for a maximum of 3 simultaneous contacts).

Example:

