



Main

Range of product	Harmony K
Product or component type	Complete cam switch
Component name	K50
[I _{th}] conventional free air thermal current	50 A
Mounting location	Front
Fixing mode	4 holes
Cam switch head type	With front plate 64 x 64 mm
Type of operator	Black handle
Rotary handle padlocking	Without
Presentation of legend	With metallic legend, 1 - 0 - 2 black marking
Cam switch function	Changeover switch
Return	Without
Off position	With Off position
Poles description	1P
Switching positions	Right: 0° - 60° Left: 0° - 300°
IP degree of protection	IP40 conforming to IEC 529 IP40 conforming to NF C 20-010

Complementary

Switching angle	60 °
[U _i] rated insulation voltage	690 V (pollution degree 3) conforming to EN 60947-1 690 V (pollution degree 3) conforming to IEC 60947-1
Short-circuit current	5000 A
Short-circuit protection	63 A cartridge fuse, type gG
[U _{imp}] rated impulse withstand voltage	6 kV conforming to EN 947-1 6 kV conforming to IEC 947-1
Contact operation	Slow-break
Positive opening	With
Electrical connection	Captive screw clamp terminals flexible, clamping capacity: 2 x 6 mm ² Captive screw clamp terminals solid, clamping capacity: 2 x 10 mm ²

Tightening torque	2 N.m
Switching capacity in mA	15000 mA DC at 120 V 2 contact(s) for inductive load (T = 50 ms) 15000 mA DC at 180 V 3 contact(s) for inductive load (T = 50 ms) 15000 mA DC at 60 V 1 contact(s) for inductive load (T = 50 ms) 20000 mA DC at 140 V 3 contact(s) for inductive load (T = 50 ms) 20000 mA DC at 48 V 1 contact(s) for inductive load (T = 50 ms) 20000 mA DC at 95 V 2 contact(s) for inductive load (T = 50 ms) 30000 mA DC at 30 V 1 contact(s) for inductive load (T = 50 ms) 30000 mA DC at 60 V 2 contact(s) for inductive load (T = 50 ms) 30000 mA DC at 90 V 3 contact(s) for inductive load (T = 50 ms) 3500 mA DC at 110 V 1 contact(s) for inductive load (T = 50 ms) 3500 mA DC at 220 V 2 contact(s) for inductive load (T = 50 ms) 3500 mA DC at 330 V 3 contact(s) for inductive load (T = 50 ms) 37000 mA DC at 120 V 2 contact(s) for resistive load (T = 1 ms) 37000 mA DC at 180 V 3 contact(s) for resistive load (T = 1 ms) 37000 mA DC at 60 V 1 contact(s) for resistive load (T = 1 ms) 40000 mA DC at 140 V 3 contact(s) for resistive load (T = 1 ms) 40000 mA DC at 24 V 1 contact(s) for inductive load (T = 50 ms) 40000 mA DC at 48 V 1 contact(s) for resistive load (T = 1 ms) 40000 mA DC at 48 V 2 contact(s) for inductive load (T = 50 ms) 40000 mA DC at 70 V 3 contact(s) for inductive load (T = 50 ms) 40000 mA DC at 95 V 2 contact(s) for resistive load (T = 1 ms) 50000 mA DC at 24 V 1 contact(s) for resistive load (T = 1 ms) 50000 mA DC at 48 V 2 contact(s) for resistive load (T = 1 ms) 50000 mA DC at 70 V 3 contact(s) for resistive load (T = 1 ms)
Mechanical durability	300000 cycles
CAD overall width	64 mm
CAD overall height	64 mm
CAD overall depth	85 mm
Product weight	0.215 kg

Environment

Standards	EN/IEC 60947-3
Product certifications	CULus 120 V 3 hp 1 phase CULus 480 V 25 hp 3 phases CULus 240 V 7.5 hp 1 phase CULus 240 V 7.5 hp 3 phases
Protective treatment	TC
Ambient air temperature for operation	-25...55 °C
Ambient air temperature for storage	-40...70 °C
Overvoltage category	Class II conforming to IEC 60536 Class II conforming to NF C 20-030

Offer Sustainability

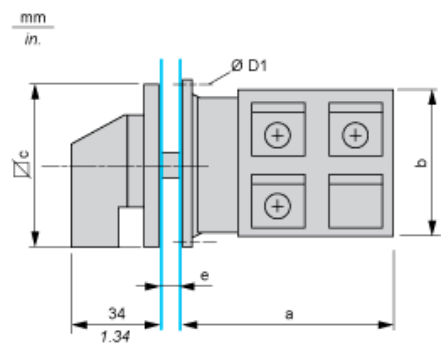
REACH free of SVHC	Yes
EU RoHS Directive	Pro-active compliance (Product out of EU RoHS legal scope) EU RoHS Declaration
Toxic heavy metal free	Yes
Mercury free	Yes
RoHS exemption information	Yes
China RoHS Regulation	China RoHS declaration
WEEE	The product must be disposed on European Union markets following specific waste collection and never end up in rubbish bins

Contractual warranty

Warranty	18 months
----------	-----------

Dimensions

Front Mounting

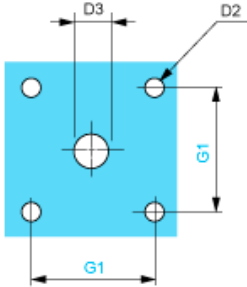


e support panel thickness 0.5 to 5.5 mm / 0.02 to 0.22 in in.

a		b		c		D1	
mm	in.	mm	in.	mm	in.	mm	in.
45.8	1.80	60	2.36	64	2.52	4.1	0.16

Panel Cut-Out

Front Mounting

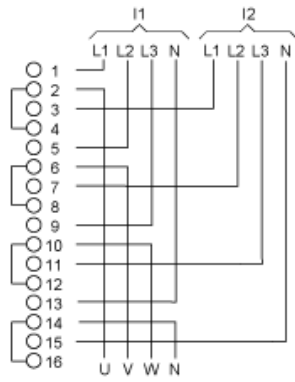


D2		D3		G1	
mm	in.	mm	in.	mm	in.
4.5	0.18	10	0.39	48	1.89

Link Positions (Factory Mounted)

Diagram for 1 to 4-pole Switches

Select the number of poles according to the product characteristics



I1 Input 1
I2 Input 2

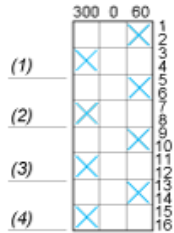
Marking



Angular Position of Switch



Switching Program



- (1) 1-pole
- (2) 2-pole
- (3) 3-pole
- (4) 4-pole

Convention Used for Switching Program Representation

Contact closed

Contact closed in 2 positions and maintained between the 2 positions

Sealed assembly for auto-maintain control

Overlapping contacts

Spring return position: for a switching angle of 90° , spring return is over 30° after the last position (for a maximum of 3 simultaneous contacts).

Example:

