



Main

Range of product	Altivar
Product or component type	Power module
Device short name	ATVR
Device application	Energy regeneration

Complementary

Range compatibility	Altivar Machine ATV340 Altivar Process ATV900 Altivar Machine ATV320
Fixing mode	By screws
[Us] rated supply voltage	380...500 V - 15...10 %
Network number of phases	3 phases
Network frequency	45...65 Hz
Rated power	6.8 kW
DC bus operating voltage	456...778 V DC
DC bus voltage limits	300...880 V DC
Input power	6.8 kW at 380...500 V DC for DC bus (continuous) 10.2 kW at 380...500 V DC for DC bus (transient for 60 s)
Input current	16.5 A at 380 V DC for DC bus (continuous) 14.5 A at 500 V DC for DC bus (continuous) 22.9 A at 380 V DC for DC bus (transient for 60 s) 19.1 A at 500 V DC for DC bus (transient for 60 s)
Output current	13.4 A at 380 V AC (continuous) 11.9 A at 500 V AC (continuous) 18.4 A at 380 V AC (transient for 60 s) 15.4 A at 500 V AC (transient for 60 s)
Electrical connection	Control: removable screw terminal block: 0.5...1.5 mm ² , AWG 20...AWG 16 (bottom) Power supply: removable screw terminal block: 2.5...4 mm ² , AWG 12...AWG 10 (top) DC bus: removable screw terminal block: 2.5...4 mm ² , AWG 12...AWG 10 (bottom)
Maximum voltage drop at rated load	3 %
Operating position	Vertical or horizontal position

Height	337 mm
Width	80 mm
Depth	175 mm
Product weight	6 kg
Type of cooling	Fan

Environment

Environmental characteristic	Chemical pollution resistance class 3C3 conforming to EN/IEC 60721-3-3 Dust pollution resistance class 3S2 conforming to EN/IEC 60721-3-3
Ambient air temperature for operation	-10...50 °C without 50...60 °C with derating factor
Ambient air temperature for storage	-40...70 °C
Operating altitude	<= 1000 m without 1000...3000 m with power derating 1 % per 100 m
Pollution degree	2 conforming to EN/IEC 61800-5-1
IP degree of protection	IP20
Standards	IEC 61800-5-1 IEC 61800-3

Offer Sustainability

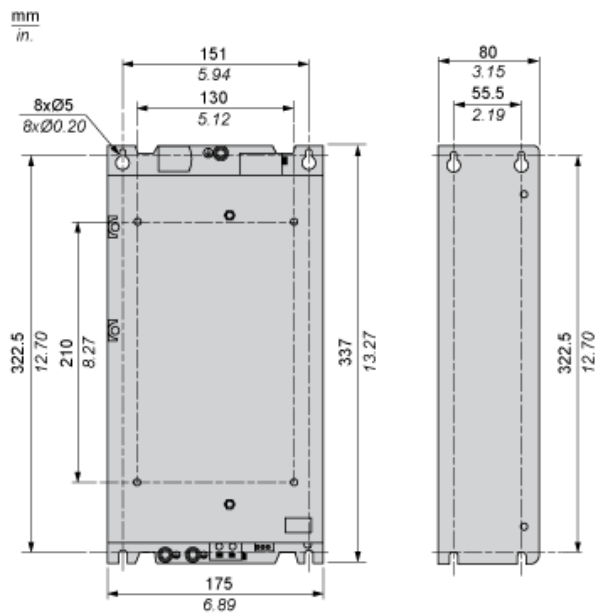
Sustainable offer status	Green Premium product
REACH Regulation	REACH Declaration
EU RoHS Directive	Pro-active compliance (Product out of EU RoHS legal scope) EU RoHS Declaration
Mercury free	Yes
RoHS exemption information	Yes
China RoHS Regulation	China RoHS declaration
Environmental Disclosure	Product Environmental Profile
Circularity Profile	End of Life Information
WEEE	The product must be disposed on European Union markets following specific waste collection and never end up in rubbish bins

Contractual warranty

Warranty	18 months
----------	-----------

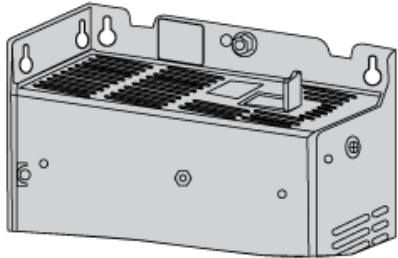
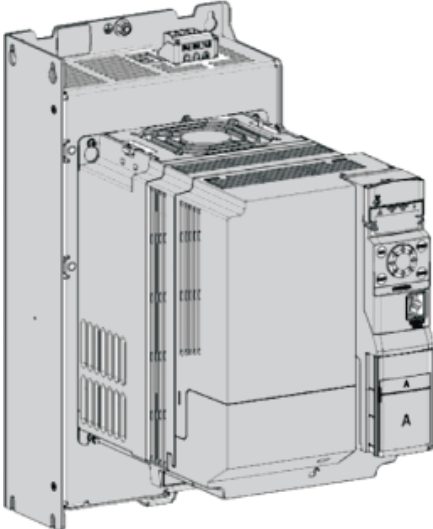
Dimensions

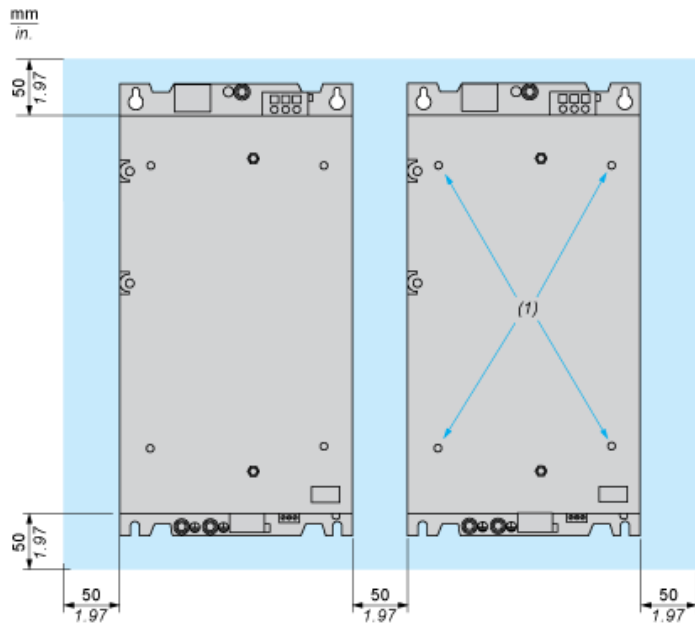
Front and Side Views



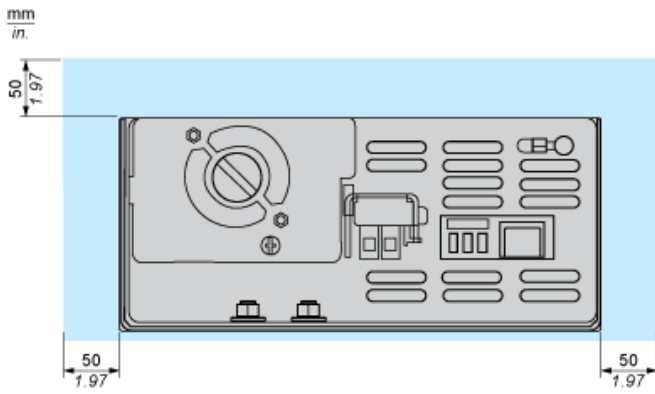
Mounting Recommendations

Vertical Flat Mounting



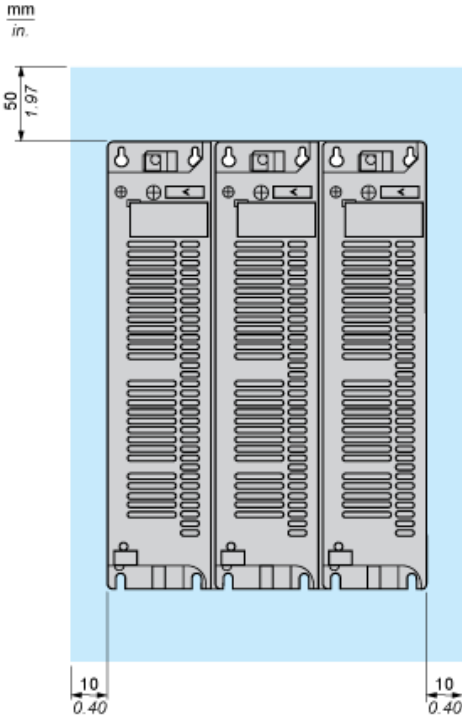
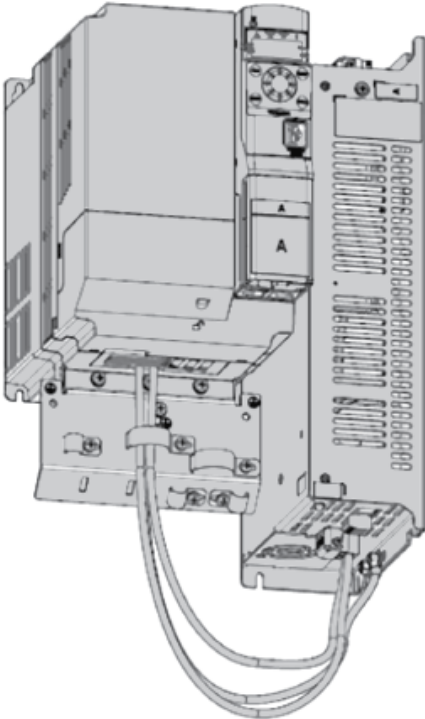


(1) : Fixing holes for ATV320



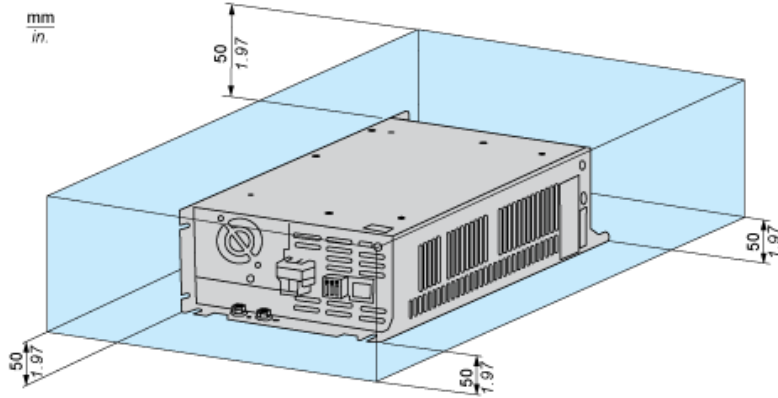
Mounting Recommendations

Side by Side Mounting



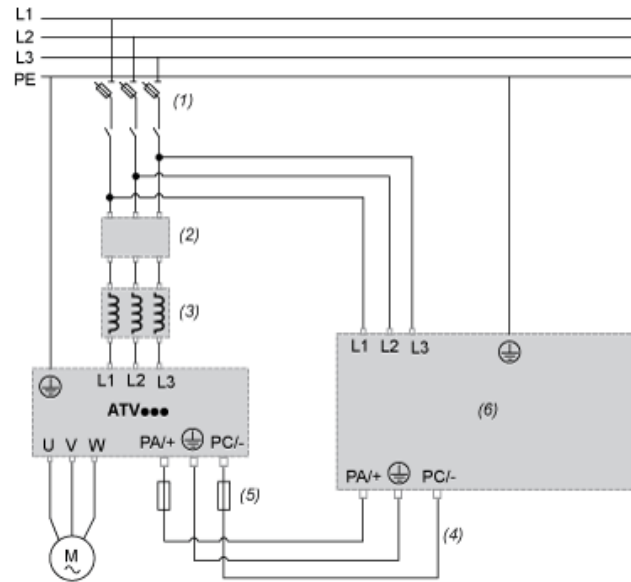
Mounting Recommendations

Horizontal Flat Mounting



Wiring Diagram

Drive and Regenerative Unit



- (1) : AC protection fuses
- (2) : Optional additional EMC input Filter (see drive catalog)
- (3) : Optional AC Choke (see drive catalog)
- (4) : DC bus link
- (5) : DC protection fuses
- (6) : Altivar Regenerative Unit