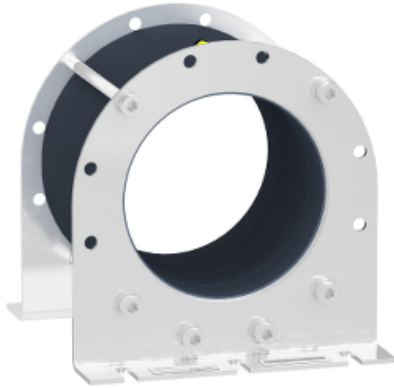


Price* : 1,508.00 GBP



Main

| | |
|---------------------------|--|
| Product or component type | Common mode output filter |
| Range compatibility | Altivar Process ATV600 Altivar Process ATV900 |
| Value of inductance | 183.2 μ H |
| Product compatibility | Variable speed drive ATV630 wall mount, 110...160 kW, 380...480 V Variable speed drive ATV650 wall mount, 110...160 kW, 380...480 V Variable speed drive ATV930 wall mount, 110...160 kW, 380...480 V Variable speed drive ATV950 wall mount, 110...160 kW, 380...480 V Variable speed drive ATV630 wall mount, 55...75 kW, 200...240 V Variable speed drive ATV930 wall mount, 55...75 kW, 200...240 V |

Complementary

| | |
|-----------------------------|---|
| Maximum motor cable length | 150 m(unshielded cable) motor: 110...160 kW 380...480 V, with 1 filter 150 m(shielded cable) motor: 110 kW 380...480 V, with 1 filter 300 m(shielded cable) motor: 130...160 kW 380...480 V, with 2 filter 500 m(unshielded cable) motor: 110...160 kW 380...480 V, with 2 filter 500 m(shielded cable) motor: 110 kW 380...480 V, with 1 filter + VW3A5506 150 m(unshielded cable) motor: 55...75 kW 200...240 V, with 1 filter 150 m(shielded cable) motor: 55 kW 200...240 V, with 1 filter 300 m(shielded cable) motor: 75 kW 200...240 V, with 2 filter 500 m(unshielded cable) motor: 55...75 kW 200...240 V, with 2 filter 500 m(shielded cable) motor: 55 kW 200...240 V, with 1 filter + VW3A5506 |
| Saturation current | 3.6 A |
| Internal diameter | 123.9 mm for 3-phase cable inside 123.9 mm for PE cable outside |
| Electrical insulation class | Class I |
| Mechanical robustness | Shocks class 3M4 conforming to IEC 60721-3-3 Vibrations class 3M4 conforming to IEC 60721-3-3 |
| Switching frequency | \leq 10 kHz |
| Maximum output frequency | 100 Hz |
| Height | 197 mm |
| Width | 191 mm |
| Depth | 196 mm |
| Product weight | 6 kg |

Disclaimer: This documentation is not intended as a substitute for and is not to be used for determining suitability or reliability of these products for specific user applications

Environment

| | |
|---------------------------------------|-------------------------------|
| Relative humidity | 5...95 % without condensation |
| Ambient air temperature for operation | -15...60 °C |
| Ambient air temperature for storage | -40...70 °C |

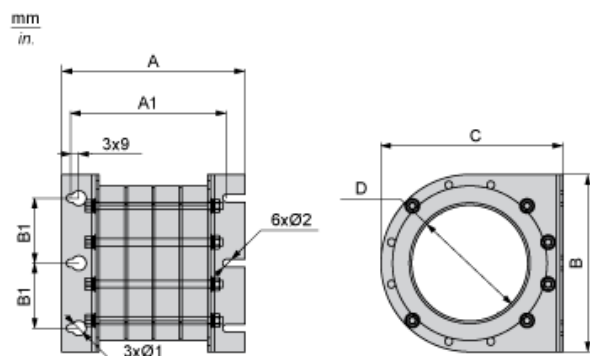
Offer Sustainability

| | |
|----------------------------|---|
| EU RoHS Directive | Pro-active compliance (Product out of EU RoHS legal scope) EU RoHS Declaration |
| Toxic heavy metal free | Yes |
| Mercury free | Yes |
| RoHS exemption information | Yes |
| China RoHS Regulation | China RoHS declaration |

Contractual warranty

| | |
|----------|-----------|
| Warranty | 18 months |
|----------|-----------|

Dimensions



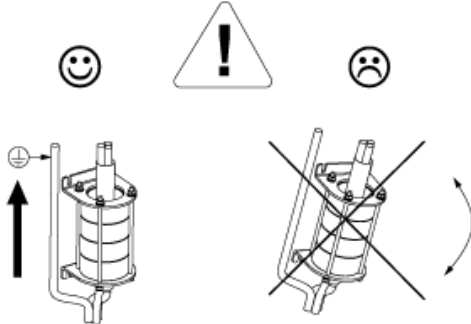
Dimensions in mm

| A | A1 | B1 | Ø1 | Ø2 | B | C | D |
|-------|-------|----|----|-----|-----|-----|-------|
| 197.2 | 167.8 | 70 | 16 | 8.5 | 191 | 196 | 123.9 |

Dimensions in in.

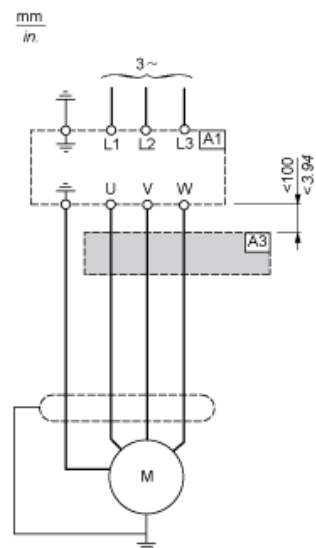
| A | A1 | B1 | Ø1 | Ø2 | B | C | D |
|-----|-----|-----|-----|------|-----|-----|-----|
| 7.8 | 6.3 | 2.8 | 0.6 | 0.33 | 7.5 | 7.7 | 4.9 |

Mounting Recommendations



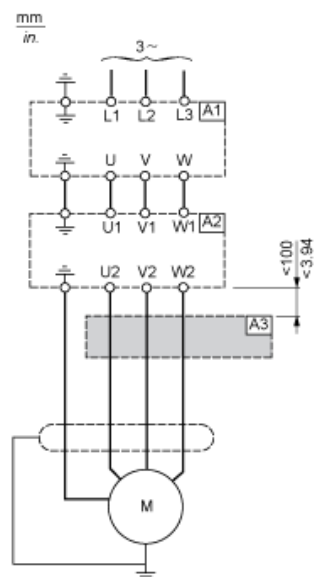
Recommended Schema

Connection at the Output Terminals of the Drive



- A1 : Drive
- A3 : Common mode filter

Connection at the Output Terminals of the dv/dt Filter or Sinus Filter



- A1 : Drive
- A2 : dv/dt or sinus filter
- A3 : Common mode filter