

Main

Range compatibility	Lexium 23 Plus
Product or component type	Servo motor
Device short name	BCH

Complementary

Maximum mechanical speed	5000 rpm
[Us] rated supply voltage	220 V
Network number of phases	Single phase
Continuous stall current	5.1 A
Continuous power	0.75 kW
Shaft end	Smooth shaft
Second shaft	Without second shaft end
Shaft diameter	19 mm
Shaft length	37 mm
Feedback type	20 bits incremental encoder
Holding brake	Without
Mounting support	Asian standard flange
Motor flange size	80 mm
Torque constant	0.47 N.m/A
Back emf constant	17.2 V/krpm at 20 °C
Rotor inertia	1.13 kg.cm ²
Stator resistance	0.84 Ohm at 20 °C
Stator inductance	7.06 mH at 20 °C
Stator electrical time constant	8.37 ms at 20 °C
Maximum radial force Fr	245 N
Maximum axial force Fa	98 N
Brake pull-in power	8.2 W
Type of cooling	Natural convection
Length	138.3 mm
Number of motor stacks	2
Centring collar diameter	70 mm

Disclaimer: This documentation is not intended as a substitute for and is not to be used for determining suitability or reliability of these products for specific user applications

Centring collar depth	3 mm
Number of mounting holes	4
Mounting holes diameter	6.6 mm
Circle diameter of the mounting holes	90 mm
Distance shaft shoulder-flange	29.5 mm
Product weight	3 kg

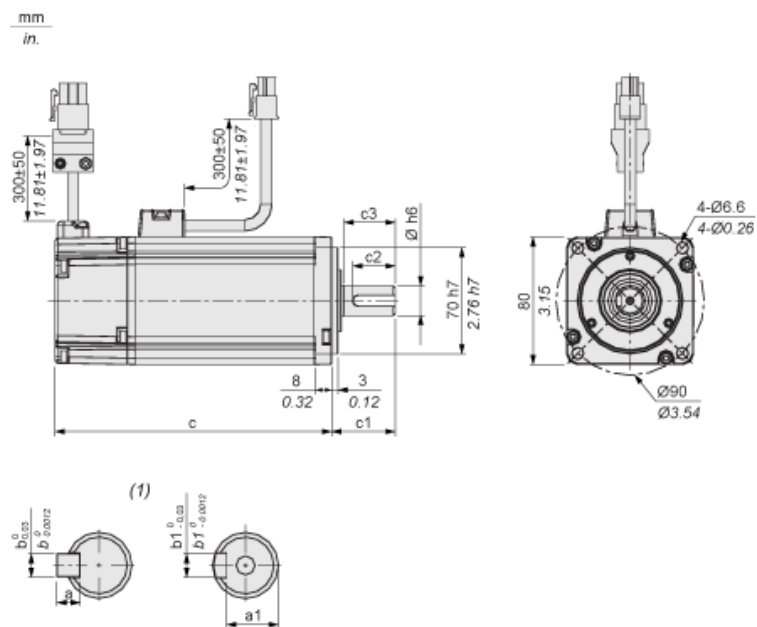
Environment

IP degree of protection	IP40
Ambient air temperature for operation	0...40 °C

Contractual warranty

Warranty	18 months
----------	-----------

Dimensions



(1) Shaft end, keyed slot (optional)

Dimensions in mm

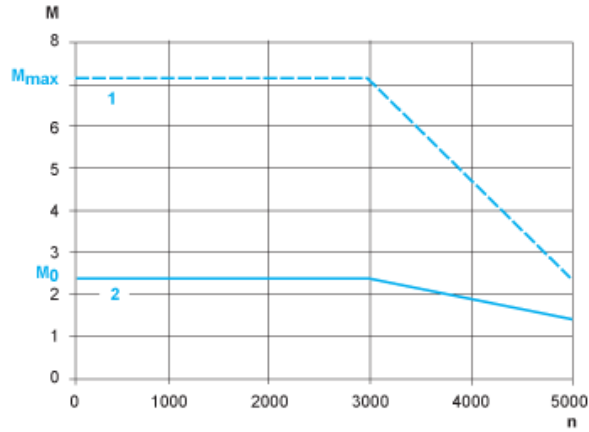
Ø	a	a1	b	b1	c (without holding brake)	c (with holding brake)	c1	c2	c3
19	6	15.5	6	6	130.7	166.8	35	25	29.5

Dimensions in in.

Ø	a	a1	b	b1	c (without holding brake)	c (with holding brake)	c1	c2	c3
0.75	0.24	0.61	0.24	0.24	5.14	6.57	1.38	0.98	1.16

Torque/Speed Curves with 220 V Single Phase Supply Voltage

Servo Motor with LXM23-U07M3X Servo Drive



- M : Torque in Nm
- n : Speed in rpm
- 1 : Peak torque
- 2 : Continuous torque