



## Main

Range compatibility	Lexium 23 Plus
Product or component type	Servo motor
Device short name	BCH

## Complementary

Maximum mechanical speed	2000 rpm
[Us] rated supply voltage	220 V
Network number of phases	Single phase
Continuous stall current	4.8 A
Continuous power	0.6 kW
Shaft end	Keyed
Second shaft	Without second shaft end
Shaft diameter	22 mm
Shaft length	47 mm
Key width	8 mm
Feedback type	20 bits incremental encoder
Holding brake	Without
Mounting support	Asian standard flange
Motor flange size	130 mm
Torque constant	1.19 N.m/A
Back emf constant	43.8 V/krpm at 20 °C
Rotor inertia	8.41 kg.cm <sup>2</sup>
Stator resistance	1.64 Ohm at 20 °C
Stator inductance	22.24 mH at 20 °C
Stator electrical time constant	13.5 ms at 20 °C
Maximum radial force Fr	490 N
Maximum axial force Fa	98 N
Brake pull-in power	19 W
Type of cooling	Natural convection
Length	147.5 mm
Number of motor stacks	2

Disclaimer: This documentation is not intended as a substitute for and is not to be used for determining suitability or reliability of these products for specific user applications

Centring collar diameter	110 mm
Centring collar depth	6 mm
Number of mounting holes	4
Mounting holes diameter	9 mm
Circle diameter of the mounting holes	145 mm
Distance shaft shoulder-flange	47 mm
Product weight	7 kg

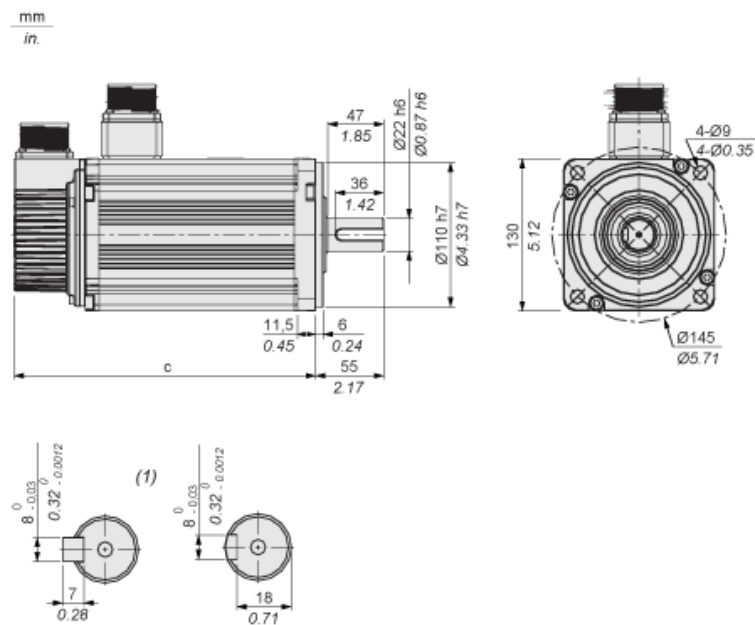
## Environment

IP degree of protection	IP65
Ambient air temperature for operation	0...40 °C

## Contractual warranty

Warranty	18 months
----------	-----------

Dimensions



(1) Shaft end, keyed slot (optional)

Dimensions in mm

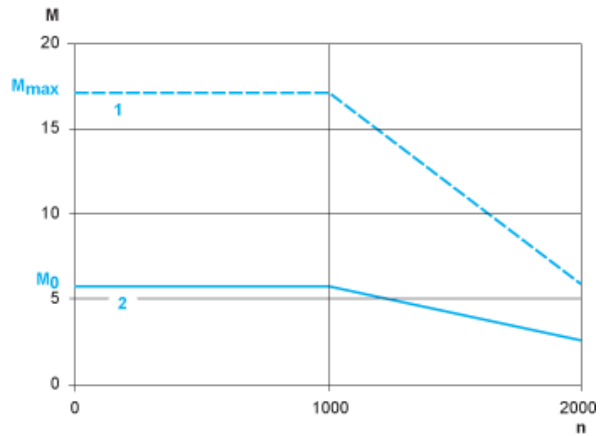
c (without holding brake)	c (with holding brake)
147.5	183.5

Dimensions in in.

c (without holding brake)	c (with holding brake)
5.81	7.22

Torque/Speed Curves with 220 V Single Phase Supply Voltage

Servo Motor with LXM23-U07M3X Servo Drive



- M : Torque in Nm
- n : Speed in rpm
- 1 : Peak torque
- 2 : Continuous torque