



Main

Range compatibility	Lexium 23 Plus
Product or component type	Servo motor
Device short name	BCH

Complementary

Maximum mechanical speed	3000 rpm
[Us] rated supply voltage	220 V
Network number of phases	Three phase
Continuous stall current	32.5 A
Continuous power	3.5 kW
Shaft end	Keyed
Second shaft	Without second shaft end
Shaft length	73 mm
Feedback type	20 bits incremental encoder
Holding brake	With
Holding torque	25 N.m
Mounting support	Asian standard flange
Motor flange size	180 mm
Torque constant	0.88 N.m/A
Back emf constant	32 V/krpm at 20 °C
Rotor inertia	80.65 kg.cm ²
Stator resistance	0.032 Ohm at 20 °C
Stator inductance	0.89 mH at 20 °C
Stator electrical time constant	27.8 ms at 20 °C
Maximum radial force Fr	1470 N
Maximum axial force Fa	490 N
Brake pull-in power	20.4 W
Type of cooling	Natural convection
Number of motor stacks	3
Centring collar diameter	114.3 mm
Centring collar depth	4 mm

Number of mounting holes	4
Mounting holes diameter	13.5 mm
Circle diameter of the mounting holes	200 mm
Distance shaft shoulder-flange	73 mm
Product weight	27.7 kg

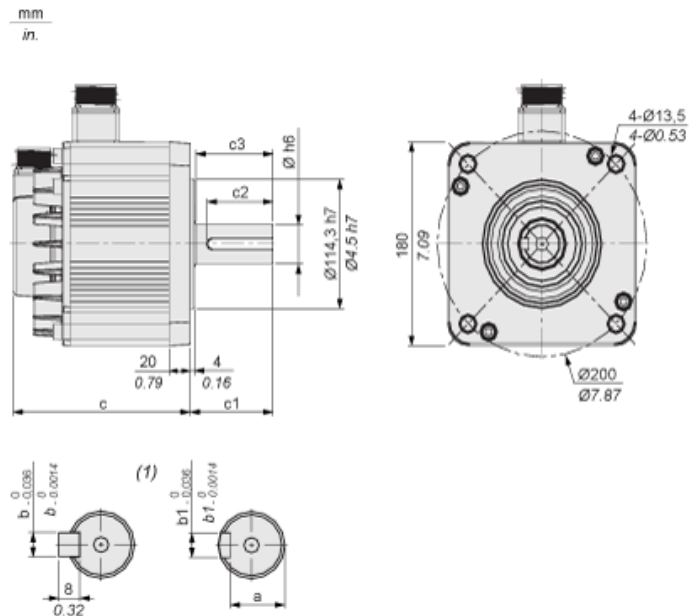
Environment

IP degree of protection	IP65
Ambient air temperature for operation	0...40 °C

Contractual warranty

Warranty	18 months
----------	-----------

Dimensions



(1) Shaft end, keyed slot (optional)

Dimensions in mm

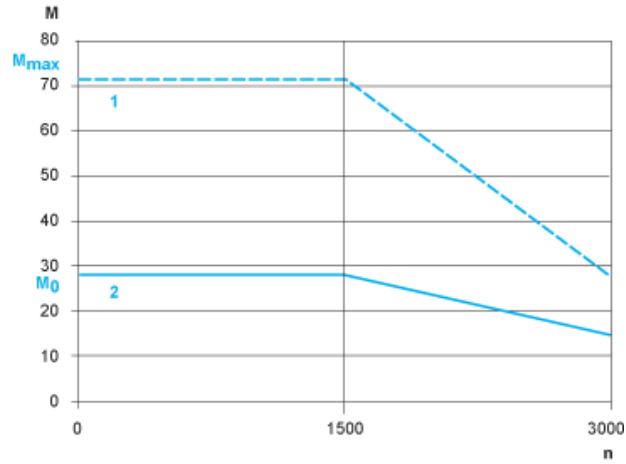
Ø	a	b	b1	c (without holding brake)	c (with holding brake)	c1	c2	c3
35	30	10	10	235.3	279.3	79	63	73

Dimensions in in.

Ø	a	b	b1	c (without holding brake)	c (with holding brake)	c1	c2	c3
1.38	1.18	0.39	0.39	9.26	11.00	3.11	2.48	2.87

Torque/Speed Curves with 220 V Three Phase Supply Voltage

Servo Motor with LXM23-U45M3X Servo Drive



- M : Torque in Nm
- n : Speed in rpm
- 1 : Peak torque
- 2 : Continuous torque