



## Main

Range compatibility	Lexium 23 Plus
Product or component type	Servo motor
Device short name	BCH

## Complementary

Maximum mechanical speed	3000 rpm
[Us] rated supply voltage	220 V
Network number of phases	Three phase
Continuous stall current	47.5 A
Continuous power	7.5 kW
Shaft end	Smooth shaft
Second shaft	Without second shaft end
Shaft length	73 mm
Feedback type	20 bits incremental encoder
Holding brake	Without
Mounting support	Asian standard flange
Motor flange size	180 mm
Torque constant	1.01 N.m/A
Back emf constant	35.5 V/krpm at 20 °C
Rotor inertia	142.7 kg.cm <sup>2</sup>
Stator resistance	0.015 Ohm at 20 °C
Stator inductance	0.4 mH at 20 °C
Stator electrical time constant	26.7 ms at 20 °C
Maximum radial force Fr	1764 N
Maximum axial force Fa	588 N
Brake pull-in power	20.4 W
Type of cooling	Natural convection
Number of motor stacks	5
Centring collar diameter	114.3 mm
Centring collar depth	4 mm
Number of mounting holes	4

Disclaimer: This documentation is not intended as a substitute for and is not to be used for determining suitability or reliability of these products for specific user applications

Mounting holes diameter	13.5 mm
Circle diameter of the mounting holes	200 mm
Distance shaft shoulder-flange	73 mm
Product weight	31.5 kg

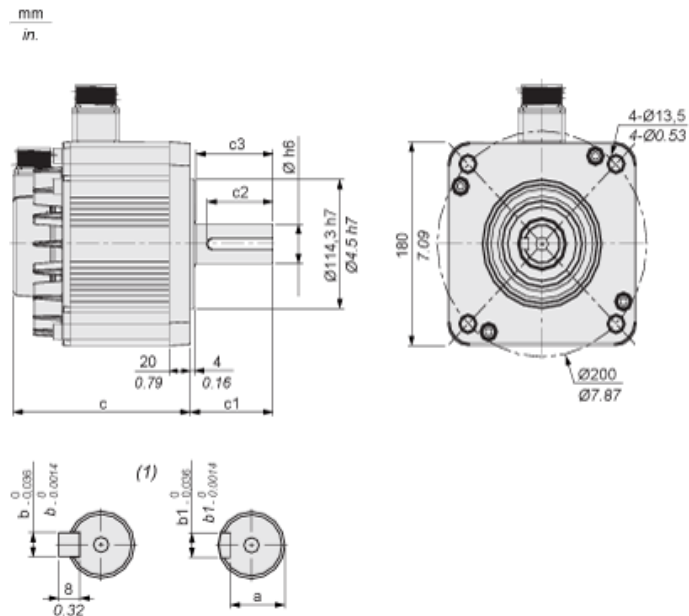
## Environment

IP degree of protection	IP40
Ambient air temperature for operation	0...40 °C

## Contractual warranty

Warranty	18 months
----------	-----------

Dimensions



(1) Shaft end, keyed slot (optional)

Dimensions in mm

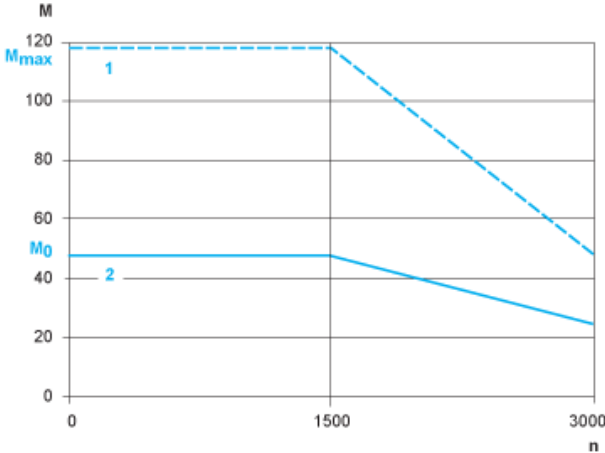
Ø	a	b	b1	c (without holding brake)	c (with holding brake)	c1	c2	c3
42	37	12	12	342	376.1	113	90	108.5

Dimensions in in.

Ø	a	b	b1	c (without holding brake)	c (with holding brake)	c1	c2	c3
1.65	1.46	0.47	0.47	13.46	14.81	4.45	3.54	4.27

Torque/Speed Curves with 220 V Three Phase Supply Voltage

Servo Motor with LXM23•U75M3X Servo Drive



- M : Torque in Nm
- n : Speed in rpm
- 1 : Peak torque
- 2 : Continuous torque