

Main

| | |
|---------------------------|-------------|
| Range compatibility | Lexium 28 |
| Product or component type | Servo motor |
| Device short name | BCH2 |

Complementary

| | |
|---------------------------|---|
| Maximum mechanical speed | 3000 rpm |
| [Us] rated supply voltage | 220 V |
| Network number of phases | Three phase Single phase |
| Continuous stall current | 5.62 A |
| Continuous stall torque | 5.39 N.m for LXM28... at 7 A, 220 V, single phase 5.39 N.m for LXM28... at 7 A, 220 V, three phase |
| Continuous power | 850 W |
| Peak stall torque | 13.8 N.m for LXM28... at 7 A, 220 V, single phase 13.8 N.m for LXM28... at 7 A, 220 V, three phase |
| Nominal output power | 850 W for LXM28... at 7 A, 220 V, single phase 850 W for LXM28... at 7 A, 220 V, three phase |
| Nominal torque | 5.39 N.m for LXM28... at 7 A, 220 V, single phase 5.39 N.m for LXM28... at 7 A, 220 V, three phase |
| Nominal speed | 1500 rpm for LXM28... at 7 A, 220 V, single phase 1500 rpm for LXM28... at 7 A, 220 V, three phase |
| Maximum current Irms | 14.96 A for LXM28... at 0.85 kW, 220 V |
| Maximum permanent current | 6.29 A |
| Product compatibility | LXM28... servo drive motor at 0.85 kW, 220 V, single phase LXM28... servo drive motor at 0.85 kW, 220 V, three phase |
| Shaft end | Smooth shaft |
| Shaft diameter | 22 mm |
| Shaft length | 55 mm |
| Feedback type | 20 bits single turn absolute encoder |
| Holding brake | With |
| Holding torque | 9.6 N.m built-in |
| Mounting support | Asian standard flange |
| Motor flange size | 130 mm |

Disclaimer: This documentation is not intended as a substitute for and is not to be used for determining suitability or reliability of these products for specific user applications

| | |
|---------------------------------------|-------------------------|
| Electrical connection | Connector MIL |
| Torque constant | 0.96 N.m/A at 20 °C |
| Back emf constant | 58 V/krpm at 20 °C |
| Rotor inertia | 14.1 kg.cm ² |
| Stator resistance | 0.34 Ohm at 20 °C |
| Stator inductance | 4.5 mH at 20 °C |
| Stator electrical time constant | 13.24 ms at 20 °C |
| Maximum radial force Fr | 670 N at 1500 rpm |
| Maximum axial force Fa | 200 N |
| Brake pull-in power | 19.7 W |
| Type of cooling | Natural convection |
| Length | 216 mm |
| Number of motor stacks | 4 |
| Centring collar diameter | 110 mm |
| Centring collar depth | 8 mm |
| Number of mounting holes | 4 |
| Mounting holes diameter | 9.2 mm |
| Circle diameter of the mounting holes | 145 mm |
| Distance shaft shoulder-flange | 8 mm |
| Product weight | 10.9 kg |

Environment

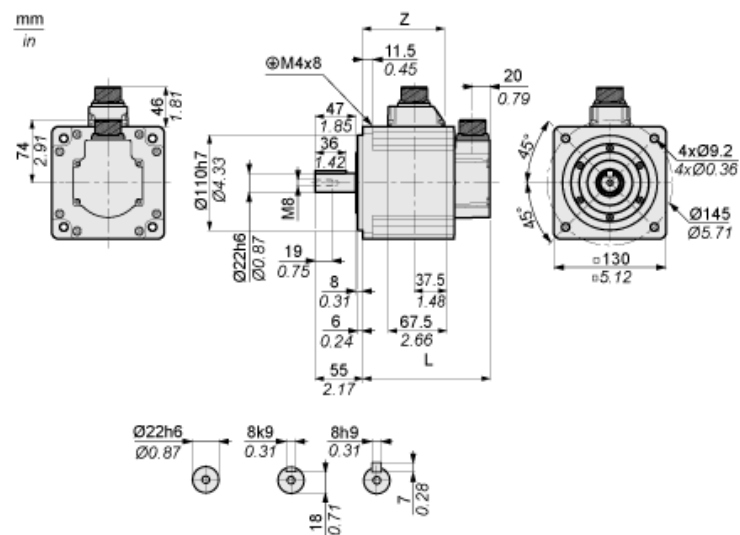
| | |
|---------------------------------------|---------------------------------|
| IP degree of protection | IP54 IM B5, IM V1 IP50 IM V3 |
| Ambient air temperature for operation | 0...40 °C |

Contractual warranty

| | |
|----------|-----------|
| Warranty | 18 months |
|----------|-----------|

Dimensions

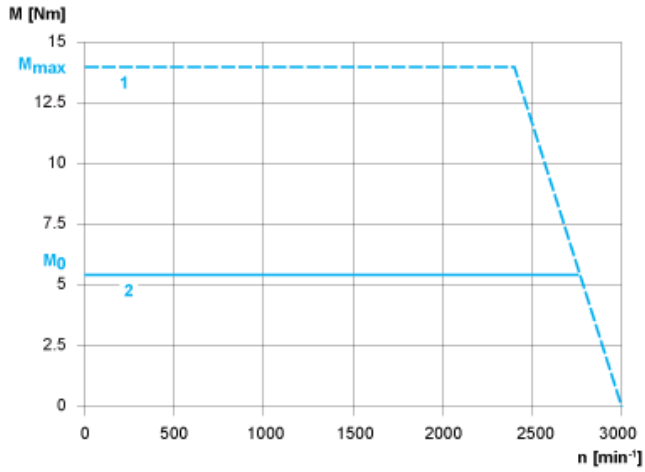
Dimensions of Motor



| | mm | in. |
|---------------------------|-------|------|
| L (without holding brake) | 187 | 7.36 |
| L (with holding brake) | 216 | 8.5 |
| Z | 134.5 | 5.30 |

Torque/Speed Curves with 230 V Single/Three Phase Supply Voltage

Servo Motor with LXM28AU10●●● Servo Drive



- 1 : Peak torque
- 2 : Continuous torque