



Main

Range compatibility	Lexium 28
Product or component type	Servo motor
Device short name	BCH2

Complementary

Maximum mechanical speed	3000 rpm
[Us] rated supply voltage	220 V
Network number of phases	Three phase Single phase
Continuous stall current	5.62 A
Continuous stall torque	5.39 N.m for LXM26D at 7 A, 220 V, single phase 5.39 N.m for LXM26D at 7 A, 220 V, three phase 5.39 N.m for LXM28... at 7 A, 220 V, single phase 5.39 N.m for LXM28... at 7 A, 220 V, three phase
Continuous power	850 W
Peak stall torque	13.8 N.m for LXM26D at 7 A, 220 V, single phase 13.8 N.m for LXM26D at 7 A, 220 V, three phase 13.8 N.m for LXM28... at 7 A, 220 V, single phase 13.8 N.m for LXM28... at 7 A, 220 V, three phase
Nominal output power	850 W for LXM26D at 7 A, 220 V, single phase 850 W for LXM26D at 7 A, 220 V, three phase 850 W for LXM28... at 7 A, 220 V, single phase 850 W for LXM28... at 7 A, 220 V, three phase
Nominal torque	5.39 N.m for LXM26D at 7 A, 220 V, single phase 5.39 N.m for LXM26D at 7 A, 220 V, three phase 5.39 N.m for LXM28... at 7 A, 220 V, single phase 5.39 N.m for LXM28... at 7 A, 220 V, three phase
Nominal speed	1500 rpm for LXM26D at 7 A, 220 V, single phase 1500 rpm for LXM26D at 7 A, 220 V, three phase 1500 rpm for LXM28... at 7 A, 220 V, single phase 1500 rpm for LXM28... at 7 A, 220 V, three phase
Maximum current Irms	14.96 A for LXM28... at 0.85 kW, 220 V

Disclaimer: This documentation is not intended as a substitute for and is not to be used for determining suitability or reliability of these products for specific user applications

Maximum permanent current	6.29 A
Product compatibility	LXM26D servo drive motor at 0.85 kW, 220 V, single phase LXM26D servo drive motor at 0.85 kW, 220 V, three phase LXM28... servo drive motor at 0.85 kW, 220 V, single phase LXM28... servo drive motor at 0.85 kW, 220 V, three phase
Shaft end	Keyed
Shaft diameter	22 mm
Shaft length	55 mm
Key width	8 mm
Feedback type	20 bits single turn absolute encoder
Holding brake	With
Holding torque	9.6 N.m built-in
Mounting support	Asian standard flange
Motor flange size	130 mm
Electrical connection	Connector MIL
Torque constant	0.96 N.m/A at 20 °C
Back emf constant	58 V/krpm at 20 °C
Rotor inertia	14.1 kg.cm ²
Stator resistance	0.34 Ohm at 20 °C
Stator inductance	4.5 mH at 20 °C
Stator electrical time constant	13.24 ms at 20 °C
Maximum radial force Fr	670 N at 1500 rpm
Maximum axial force Fa	200 N
Brake pull-in power	19.7 W
Type of cooling	Natural convection
Length	216 mm
Number of motor stacks	4
Centring collar diameter	110 mm
Centring collar depth	8 mm
Number of mounting holes	4
Mounting holes diameter	9.2 mm
Circle diameter of the mounting holes	145 mm
Distance shaft shoulder-flange	8 mm
Product weight	10.9 kg

Environment

IP degree of protection	IP50 IM V3 IP65 IM B5, IM V1
Ambient air temperature for operation	0...40 °C

Offer Sustainability

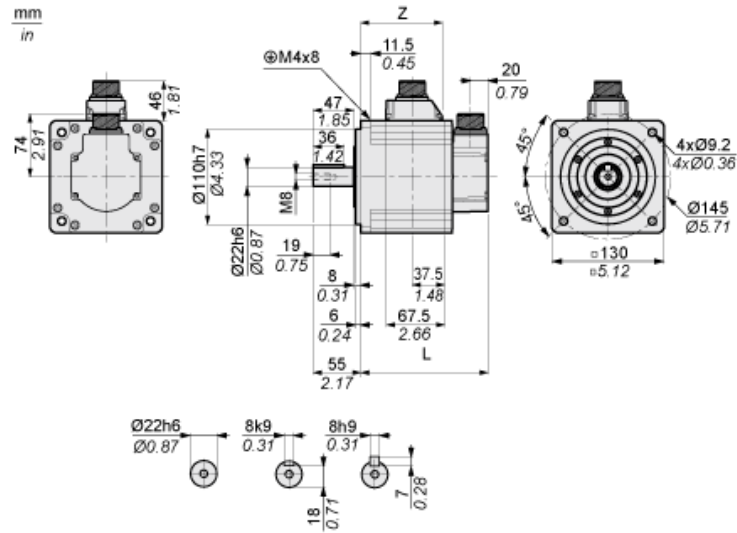
Sustainable offer status	Green Premium product
RECh Regulation	RECh Declaration
RECh free of SVHC	Yes
EU RoHS Directive	Pro-active compliance (Product out of EU RoHS legal scope) EU RoHS Declaration
Mercury free	Yes
RoHS exemption information	Yes
China RoHS Regulation	China RoHS declaration
Environmental Disclosure	Product Environmental Profile
Circularity Profile	No need of specific recycling operations
WEEE	The product must be disposed on European Union markets following specific waste collection and never end up in rubbish bins

Contractual warranty

Warranty	18 months
----------	-----------

Dimensions

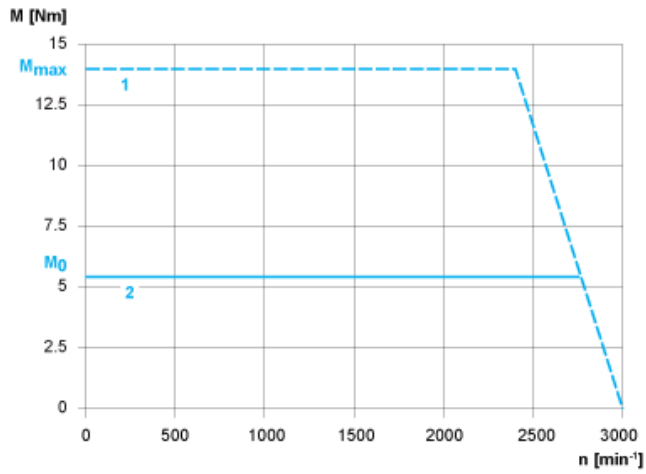
Dimensions of Motor



	mm	in.
L (without holding brake)	187	7.36
L (with holding brake)	216	8.5
Z	134.5	5.30

Torque/Speed Curves with 230 V Single/Three Phase Supply Voltage

Servo Motor with LXM28AU10●●● Servo Drive



- 1 : Peak torque
- 2 : Continuous torque