



Main

Range compatibility	Lexium 28
Product or component type	Servo motor
Device short name	BCH2

Complementary

Maximum mechanical speed	3000 rpm
[Us] rated supply voltage	220 V
Network number of phases	Three phase
Continuous stall current	9.95 A
Continuous stall torque	9.55 N.m for LXM28... at 12 A, 220 V, three phase
Continuous power	2000 W
Peak stall torque	28.65 N.m for LXM28... at 12 A, 220 V, three phase
Nominal output power	2000 W for LXM28... at 12 A, 220 V, three phase
Nominal torque	9.55 N.m for LXM28... at 12 A, 220 V, three phase
Nominal speed	2000 rpm for LXM28... at 12 A, 220 V, three phase
Maximum current Irms	32.85 A for LXM28... at 2 kW, 220 V
Maximum permanent current	11.25 A
Product compatibility	LXM28... servo drive motor at 2 kW, 220 V, three phase
Shaft end	Keyed
Shaft diameter	22 mm
Shaft length	55 mm
Key width	8 mm
Feedback type	20 bits single turn absolute encoder
Holding brake	Without
Mounting support	Asian standard flange
Motor flange size	130 mm
Electrical connection	Connector MIL

Torque constant	0.96 N.m/A at 20 °C
Back emf constant	58 V/krpm at 20 °C
Rotor inertia	13.5 kg.cm ²
Stator resistance	0.34 Ohm at 20 °C
Stator inductance	4.5 mH at 20 °C
Stator electrical time constant	13.24 ms at 20 °C
Maximum radial force Fr	670 N at 2000 rpm
Maximum axial force Fa	200 N
Brake pull-in power	19.7 W
Type of cooling	Natural convection
Length	187 mm
Number of motor stacks	4
Centring collar diameter	110 mm
Centring collar depth	8 mm
Number of mounting holes	4
Mounting holes diameter	9.2 mm
Circle diameter of the mounting holes	145 mm
Distance shaft shoulder-flange	8 mm
Product weight	9.7 kg

Environment

IP degree of protection	IP54 IM B5, IM V1 IP50 IM V3
Ambient air temperature for operation	-20...40 °C

Offer Sustainability

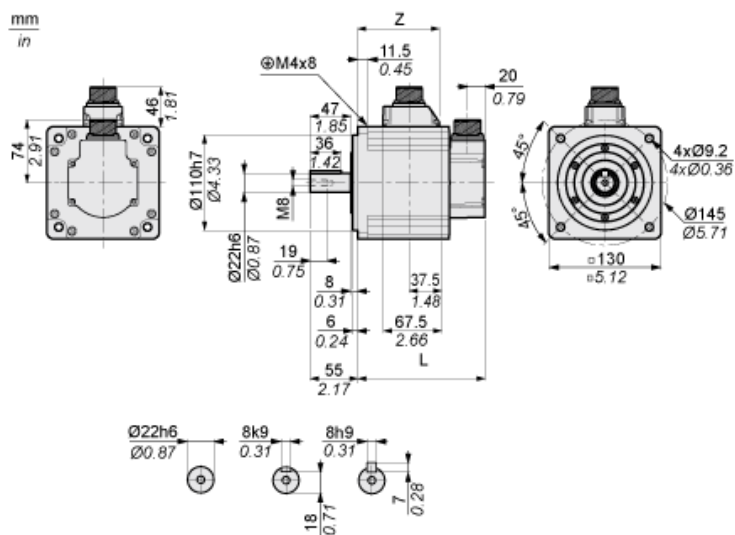
Sustainable offer status	Green Premium product
RECh Regulation	RECh Declaration
RECh free of SVHC	Yes
EU RoHS Directive	Pro-active compliance (Product out of EU RoHS legal scope) EU RoHS Declaration
Mercury free	Yes
RoHS exemption information	Yes
China RoHS Regulation	China RoHS declaration
Environmental Disclosure	Product Environmental Profile
Circularity Profile	No need of specific recycling operations
WEEE	The product must be disposed on European Union markets following specific waste collection and never end up in rubbish bins

Contractual warranty

Warranty	18 months
----------	-----------

Dimensions

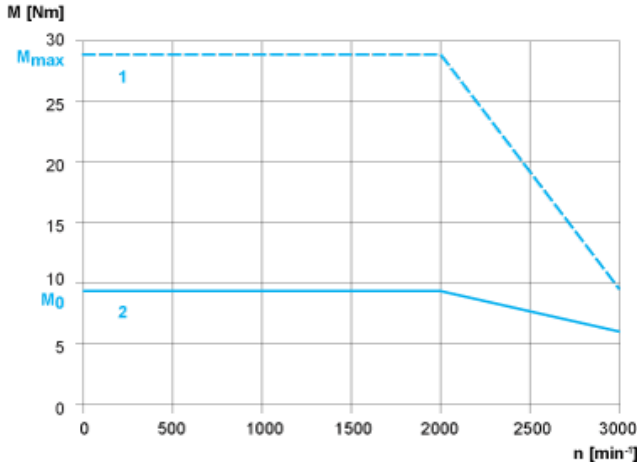
Dimensions of Motor



	mm	in.
L (without holding brake)	187	7.36
L (with holding brake)	216	8.5
Z	134.5	5.30

Torque/Speed Curves with 230 V Three Phase Supply Voltage

Servo Motor with LXM28AU20 Servo Drive



- 1 : Peak torque
- 2 : Continuous torque