



## Main

Range compatibility	Lexium 28
Product or component type	Servo motor
Device short name	BCH2

## Complementary

Maximum mechanical speed	3000 rpm
[Us] rated supply voltage	220 V
Network number of phases	Three phase
Continuous stall current	8.75 A
Continuous stall torque	9.55 N.m for LXM28... at 12 A, 220 V, three phase 9.55 N.m
Continuous power	2000 W
Peak stall torque	28.65 N.m for LXM28... at 12 A, 220 V, three phase 28.65 N.m
Nominal output power	2000 W for LXM28... at 12 A, 220 V, three phase 2000 W
Nominal torque	9.55 N.m for LXM28... at 12 A, 220 V, three phase 9.55 N.m
Nominal speed	2000 rpm 2000 rpm for LXM28... at 12 A, 220 V, three phase
Maximum current Irms	35.4 A at 2 kW, 220 V
Maximum permanent current	9.6 A
Product compatibility	LXM28... servo drive motor at 2 kW, 220 V, three phase
Shaft end	Smooth shaft
Shaft diameter	35 mm
Shaft length	79 mm
Feedback type	20 bits single turn absolute encoder
Holding brake	Without
Mounting support	Asian standard flange
Motor flange size	180 mm
Electrical connection	Connector MIL
Torque constant	1.09 N.m/A at 20 °C
Back emf constant	66 V/krpm at 20 °C

Disclaimer: This documentation is not intended as a substitute for and is not to be used for determining suitability or reliability of these products for specific user applications

Rotor inertia	26.5 kg.cm <sup>2</sup>
Stator resistance	0.572 Ohm at 20 °C
Stator inductance	8.86 mH at 20 °C
Stator electrical time constant	15.49 ms at 20 °C
Maximum radial force Fr	1200 N at 2000 rpm
Maximum axial force Fa	497 N
Brake pull-in power	49.6 W
Type of cooling	Natural convection
Length	169 mm
Number of motor stacks	1
Centring collar diameter	114.3 mm
Centring collar depth	4 mm
Number of mounting holes	4
Mounting holes diameter	13.5 mm
Circle diameter of the mounting holes	200 mm
Distance shaft shoulder-flange	4 mm
Product weight	13 kg

## Environment

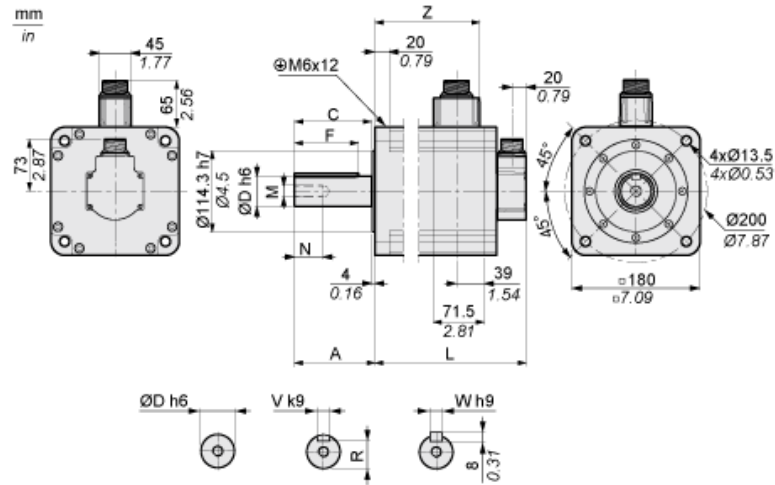
IP degree of protection	IP50 IM V3 IP65 IM B5, IM V1
Ambient air temperature for operation	-20...40 °C

## Contractual warranty

Warranty	18 months
----------	-----------

Dimensions

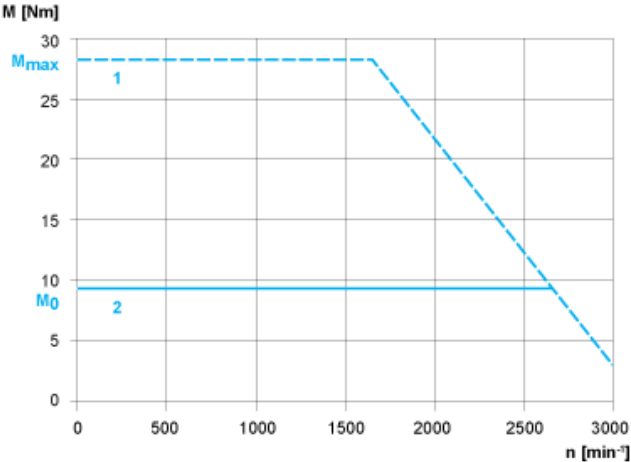
Dimensions of Motor



	mm	in.
L (without holding brake)	169	6.65
L (with holding brake)	203	7.99
A	79	3.11
C	73	2.87
D	35	1.38
F	63	2.48
N	28	1.10
M	M12	
R	30	1.18
V	10	0.39
W	10	0.39
Z	103	4.06

Torque/Speed Curves with 230 V Three Phase Supply Voltage

Servo Motor with LXM28AU20 Servo Drive



- 1 : Peak torque
- 2 : Continuous torque