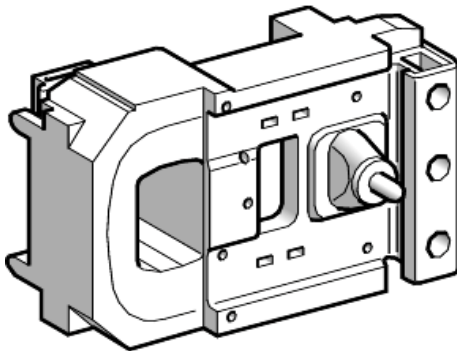




Price* : 175.99 GBP



Main

Range	TeSys
Product or component type	Contacteur coil
Device short name	LX0FK
Control circuit type	AC at 50...400 Hz DC standard
[Uc] control circuit voltage	110 V AC 50...400 Hz 110 V DC
Average resistance	7.53 Ohm latching at 20 °C 916 Ohm unlatching at 20 °C
Product compatibility	CR1F500
Operating time	50...100 ms unlatching 40...80 ms latching
Mechanical durability	1 Mcycles
Maximum operating rate	120 cyc/h 40 °C

Complementary

Control circuit voltage limits	Latching: 0.85...1.1 Uc Unlatching: 0.85...1.1 Uc
--------------------------------	--

Environment

Product weight	1.22 kg
----------------	---------

Offer Sustainability

Sustainable offer status	Green Premium product
REACH Regulation	REACH Declaration
REACH free of SVHC	Yes
EU RoHS Directive	Pro-active compliance (Product out of EU RoHS legal scope) EU RoHS Declaration
Toxic heavy metal free	Yes

Mercury free	Yes
RoHS exemption information	Yes
China RoHS Regulation	China RoHS declaration
Environmental Disclosure	Product Environmental Profile
Circularity Profile	End of Life Information

Contractual warranty

Warranty	18 months
----------	-----------