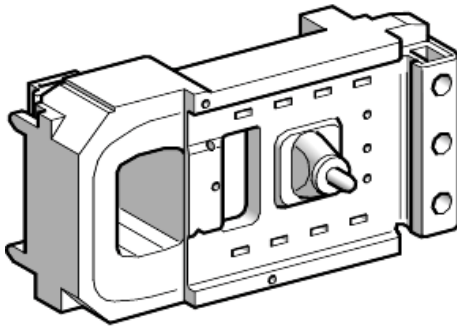




Price* : 163.11 GBP



Main

Range	TeSys
Product or component type	Contacteur coil
Device short name	LX0FL
Control circuit type	AC at 50/60 Hz
[Uc] control circuit voltage	380...400 V AC 50/60 Hz
Average resistance	60.95 Ohm latching at 20 °C 10676 Ohm unlatching at 20 °C
Product compatibility	CR1F630
Operating time	50...100 ms unlatching 40...80 ms latching
Mechanical durability	1 Mcycles
Maximum operating rate	120 cyc/h 40 °C

Complementary

Control circuit voltage limits	Latching: 0.85...1.1 Uc Unlatching: 0.85...1.1 Uc
--------------------------------	--

Environment

Product weight	1.46 kg
----------------	---------

Offer Sustainability

Sustainable offer status	Green Premium product
REACH Regulation	REACH Declaration
REACH free of SVHC	Yes
EU RoHS Directive	Pro-active compliance (Product out of EU RoHS legal scope) EU RoHS Declaration
Toxic heavy metal free	Yes
Mercury free	Yes

RoHS exemption information	Yes
China RoHS Regulation	China RoHS declaration
Environmental Disclosure	Product Environmental Profile
Circularity Profile	End of Life Information

Contractual warranty

Warranty	18 months
----------	-----------