

### Main

|                                       |                        |
|---------------------------------------|------------------------|
| Range of product                      | Harmony Relay          |
| Product or component type             | Terminal lug           |
| Accessory / separate part category    | Mounting accessory     |
| Accessory / separate part destination | SSP1 solid state relay |

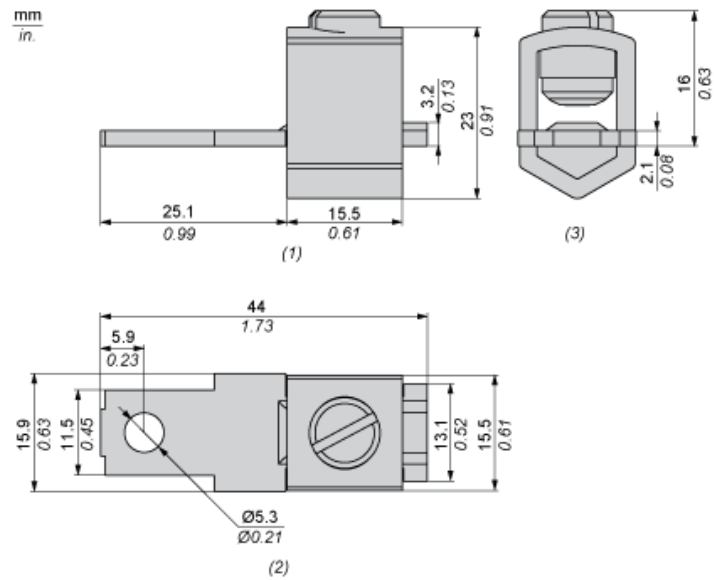
### Complementary

|                               |               |
|-------------------------------|---------------|
| Material                      | Copper        |
| AWG gauge                     | AWG 6...AWG 3 |
| Tightening torque             | 1.3...1.7 N.m |
| Wire clamp screw torque       | 2.3 N.m       |
| Product weight                | 42.37 kg      |
| Sale per indivisible quantity | 10            |

### Contractual warranty

|          |           |
|----------|-----------|
| Warranty | 18 months |
|----------|-----------|

Dimensions



- (1) Front view
- (2) Top view
- (3) Side view