



Main

Range of product	Harmony XB5
Product or component type	Emergency stop push-button
Device short name	XB5
Bezel material	Plastic
Fixing collar material	Plastic
Head type	Standard
Mounting diameter	22 mm
Sale per indivisible quantity	1
Shape of signaling unit head	Round
Type of operator	trigger action and mechanical latching with mechanical state indicator
Reset	Push-pull Turn to release
Operator profile	Red mushroom Ø 40 mm, unmarked
Contacts type and composition	2 NC + 1 NO
Contact operation	Slow-break
Connections - terminals	Screw clamp terminals, <= 1.25 mm ² with cable end conforming to EN/IEC 60947-1 Screw clamp terminals, <= 1.25 mm ² without cable end conforming to EN/IEC 60947-1
Device presentation	Complete product

Complementary

Height	42 mm
Width	42 mm
Depth	79.5 mm
Terminals description ISO n°1	(13-14)NO (21-22)NC (11-12)NC
Product weight	0.0905 kg
Contacts usage	Monitoring contact

Positive opening	With conforming to EN/IEC 60947-5-1 appendix K
Mechanical durability	100000 cycles
Tightening torque	0.8...1.5 N.m conforming to EN/IEC 60947-1
Shape of screw head	Slotted compatible with flat Ø 5.5 mm screwdriver Cross compatible with JIS No 2 screwdriver Cross compatible with Philips No 2 screwdriver
Contacts material	Silver alloy - gold plated (Ag/Cu)
Short-circuit protection	10 A cartridge fuse type gG conforming to EN/IEC 60947-5
[Ith] conventional free air thermal current	5 A conforming to EN/IEC 60947-5-1
[Ui] rated insulation voltage	250 V (pollution degree 2) conforming to IEC 61140
[Uimp] rated impulse withstand voltage	2.5 kV EN/IEC 60947-1
[Ie] rated operational current	1.5 A at 240 V, AC-15, B300 conforming to EN/IEC 60947-5-1 3 A at 120 V, AC-15, B300 conforming to EN/IEC 60947-5-1 0.1 A at 250 V, DC-13, R300 conforming to EN/IEC 60947-5-1 0.22 A at 125 V, DC-13, R300 conforming to EN/IEC 60947-5-1
Electrical durability	100000 cycles, AC-15, 1.5 A at 240 V, operating rate <1800 cyc/h, load factor: 0.4 conforming to EN/IEC 60947-5-1 appendix C 100000 cycles, AC-15, 3 A at 120 V, operating rate <1800 cyc/h, load factor: 0.4 conforming to EN/IEC 60947-5-1 appendix C 100000 cycles, DC-13, 0.1 A at 250 V, operating rate <1800 cyc/h, load factor: 0.4 conforming to EN/IEC 60947-5-1 appendix C 100000 cycles, DC-13, 0.22 A at 125 V, operating rate <1800 cyc/h, load factor: 0.4 conforming to EN/IEC 60947-5-1 appendix C

Environment

Ambient air temperature for storage	-40...80 °C
Ambient air temperature for operation	-20...60 °C
Overvoltage category	Class II conforming to IEC 61140
IP degree of protection	IP65 (front face) conforming to IEC 60529 IP2x (back face)
Standards	EN/IEC 60947-5-1 CSA C22.2 No 14 UL 508 JIS C8201-5-1 EN/IEC 60947-5-5 EN/IEC 60204-1 EN/IEC 60947-1 EN/ISO 13850 JIS C8201-1
Product certifications	CSA UL listed
Vibration resistance	50 m/s ² (f= 10...500 Hz) conforming to IEC 60068-2-6
Shock resistance	150 m/s ² (duration = 11 ms) for half sine wave acceleration conforming to IEC 60068-2-27

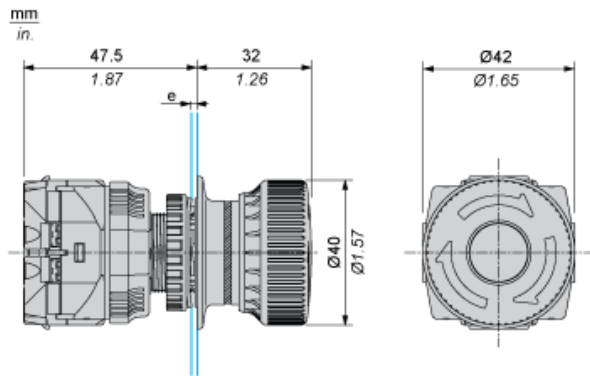
Offer Sustainability

Sustainable offer status	Green Premium product
REACH free of SVHC	Yes
EU RoHS Directive	Pro-active compliance (Product out of EU RoHS legal scope) EU RoHS Declaration
Toxic heavy metal free	Yes
Mercury free	Yes
RoHS exemption information	Yes
China RoHS Regulation	China RoHS declaration
Environmental Disclosure	Product Environmental Profile
Circularity Profile	End of Life Information
WEEE	The product must be disposed on European Union markets following specific waste collection and never end up in rubbish bins

Contractual warranty

Warranty	18 months
----------	-----------

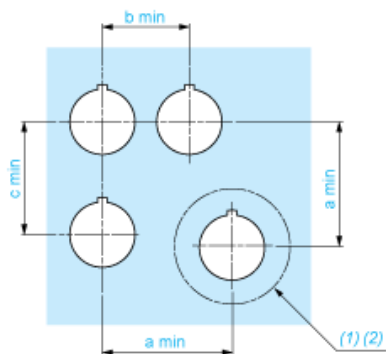
Dimensions



(e) Clamping thickness: 1 mm to 6 mm / 0.03 in to 0.24 in

Panel Cut-out for Emergency Stop Push Button (Finished Holes, Ready for Installation)

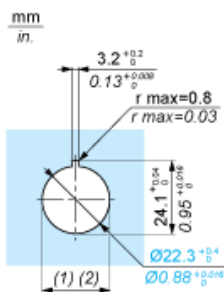
Connection by Screw Clamp Terminals



- (1) Diameter on finished panel or support
- (2) Ø42 mm recommended / Ø1.65 in. recommended (Head diameter)

Connections	a in mm	a in in.	b in mm	b in in.	c in mm	c in in.
By screw terminals	45	1.77	30	1.18	40	1.57

Connection by Screw Clamp Terminals



- (1) Diameter on finished panel or support
- (2) Ø22.5 mm recommended (Ø22.3 0+0.4) / Ø0.89 in. recommended (Ø0.88 in. 0+0.016)