



Main

Range of product	Modicon M171
Product or component type	Display module
Display colour	Monochrome
Supply	External source

Complementary

Display type	Backlit LCD screen
Number of key	4
Colour	White
[Us] rated supply voltage	12 V DC
Power consumption in W	0 W 5 W
Marking	CE
Realtime clock	With clock
Local signalling	LCD display
Product compatibility	Logic controller M171 optimized
Height	137 mm
Width	96.5 mm
Depth	31.3 mm
Product weight	0.143 kg

Environment

Standards	RoHS compliant
Product certifications	REACH CURus
IP degree of protection	IP40 front face:

Offer Sustainability

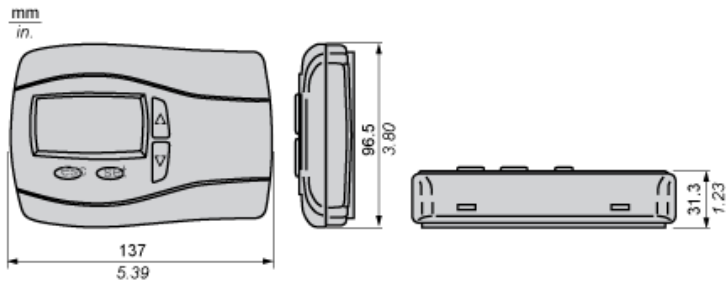
EU RoHS Directive	Pro-active compliance (Product out of EU RoHS legal scope) EU RoHS Declaration
Mercury free	Yes

RoHS exemption information	Yes
China RoHS Regulation	China RoHS declaration
WEEE	The product must be disposed on European Union markets following specific waste collection and never end up in rubbish bins

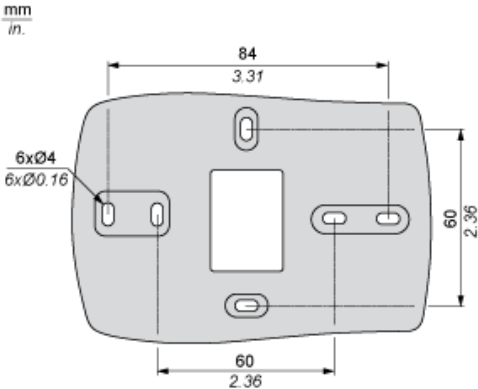
Contractual warranty

Warranty	18 months
----------	-----------

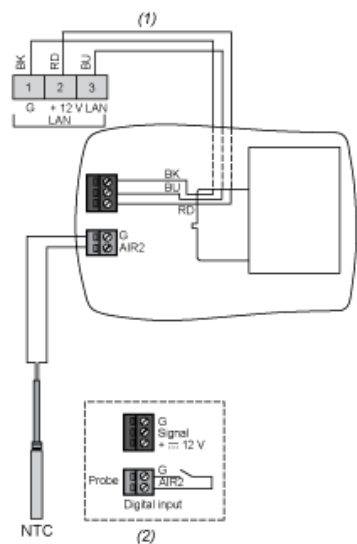
Dimensions



Mounting

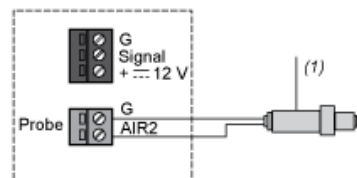


Wiring Diagram



- (1) LAN Expansion bus
- (2) Remote probe not included
- RD : Red
- BU : Blue
- BK : Black

Ex. Transducer



- (1) Power supply