



Main

Range of product	Modicon M171/M172
Product or component type	Programmable controllers
Product specific application	HVAC and pumping solution
Variant	Programmable
Total inputs/outputs	3
Analogue input number	1 analog input NTC (on board) 1 analog input NTC 1 relative humidity sensor (on board)

Complementary

Number of port	1 CAN port - screw terminal block 1 Ethernet - RJ45 (Modbus TCP and BACnet IP with webserver) 1 RS485 - screw terminal block (Modbus serial link or BACnet MS/TP) 1
Input/Output number	3 analog input(s)
Analogue input type	NTC temperature probe - 50...110 °C - resolution: 0.1 °C (extended) NTC temperature probe - 40...150 °C - resolution: 0.1 °C humidity probe 0...100 % RH - resolution: 0.01 % RH
[Us] rated supply voltage	24 V ±10% AC 48 V DC
Power consumption in W	24 VA at 24 V AC 15 W at 20...38 V DC
Realtime clock	Without clock at -20...65 °C
Display type	Without display
Overvoltage category	II
Local signalling	Without
Mounting support	Panel mounting with accessory DIN rail
Width	72 mm
Height	110 mm
Depth	60.5 mm
Product weight	0.22 kg

Disclaimer: This documentation is not intended as a substitute for and is not to be used for determining suitability or reliability of these products for specific user applications

Environment

Standards	EN/IEC 60730
Product certifications	CE EAC CSA CURus RCM
Ambient air temperature for operation	-20...65 °C conforming to UL 60730-1
Ambient air temperature for storage	-20...85 °C
Relative humidity	10...90 % non-condensing
IP degree of protection	IP20
Pollution degree	2

Offer Sustainability

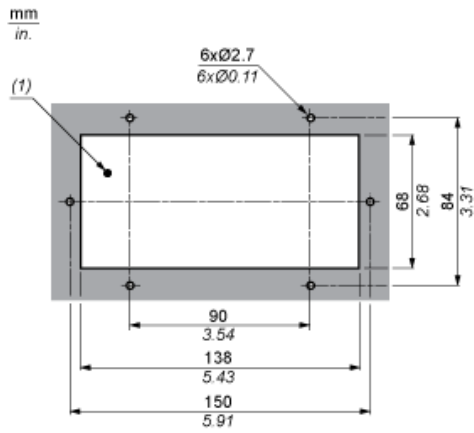
EU RoHS Directive	Pro-active compliance (Product out of EU RoHS legal scope) EU RoHS Declaration
Mercury free	Yes
RoHS exemption information	Yes
China RoHS Regulation	China RoHS declaration
WEEE	The product must be disposed on European Union markets following specific waste collection and never end up in rubbish bins

Contractual warranty

Warranty	18 months
----------	-----------

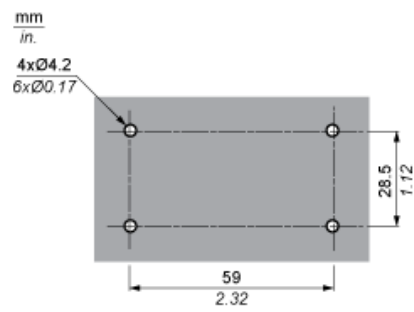
Mounting and Clearance

Panel Mounting

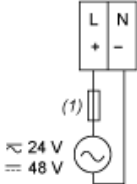


(1) Panel cut out

Wall Mounting

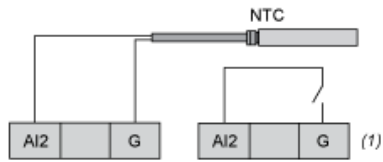


Power Supply



(1) Type T 630 mA fuse

Analog Inputs



(1) Digital input