



Price* : 263.00 GBP



Main

Range of product	Preventa Safety automation
Product or component type	Safe output expansion module
Device short name	XPSMCM
Electrical connection	Screw terminal
[Us] rated supply voltage	24 V - 20...20 % DC
Number of inputs	4 digital for external device monitoring
Number of outputs	4 safety outputs OSSD for contactor/drive connection 4 configurable for diagnostic connection
Discrete input type	Isolated
Discrete output type	PNP
Function of module	Monitoring safety actuators for discrete output

Complementary

Maximum power consumption in W	3 W
Power dissipation in W	3 W
Integrated connection type	Backplane expansion bus
Number of terminal blocks	6
Connections - terminals	2 captive screw clamp terminals, removable terminal block 1 captive screw clamp terminals, removable terminal block
Load type	Resistive load
Safety level	Can reach category 4 conforming to EN/ISO 13849-1 Can reach PL = e conforming to EN/ISO 13849-1 Can reach SIL 3 conforming to EN/IEC 61508 SILCL 3 conforming to IEC 62061
Quality labels	CE
Discrete input voltage	24 V DC
Discrete output voltage	24 V DC
Discrete output current	400 mA

	100 mA
Output load	60 Ohm
Local signalling	1 LED green with PWR marking for power ON 1 LED green with RUN marking for RUN (status) 1 LED red with E IN marking for internal error 1 LED red with E EX marking for external error 2 LEDs orange with ADDR marking for node address 4 LEDs green/red with OUT marking for output status 4 LEDs yellow with RST marking for restart signal 4 LEDs yellow with STATUS marking for output status
Cable cross section	0.2...1.5 mm ² - AWG 24...AWG 16 flexible cablewithout cable end 0.2...2.5 mm ² - AWG 24...AWG 14 flexible cablewithout cable end 0.25...1 mm ² - AWG 23...AWG 18 flexible cablewith cable end, without bezel 0.25...2.5 mm ² - AWG 23...AWG 14 flexible cablewith cable end, with bezel 0.25...2.5 mm ² - AWG 23...AWG 14 flexible cablewith cable end, without bezel 0.5...1.5 mm ² - AWG 20...AWG 16 flexible cablewith cable end, with double bezel 0.2...1 mm ² - AWG 24...AWG 18 solid cablewithout cable end 0.2...2.5 mm ² - AWG 24...AWG 14 solid cablewithout cable end
Mounting support	Omega 35 mm DIN rail conforming to EN 50022
Depth	22.5 mm
Height	99 mm
Width	114.5 mm
Product weight	0.25 kg

Environment

Standards	EN/IEC 61800-5-1 EN/ISO 13849-1 EN/IEC 61508 IEC 62061
Product certifications	TÜV RCM CULus
IP degree of protection	IP20 (enclosure)
Ambient air temperature for operation	-10...55 °C
Ambient air temperature for storage	-20...85 °C
Relative humidity	10...95 %
Pollution degree	2
[Uimp] rated impulse withstand voltage	4 kV conforming to EN/IEC 61800-5-1
Safety reliability data	DC > 99 % MTTFd < 100 years high PFHd = 3.44E-9 1/h
Insulation	250 V AC between power supply and housing conforming to EN/IEC 61800-5-1
Overvoltage category	II
Electromagnetic compatibility	Electrostatic discharge immunity test - test level: 6 kV (on contact) conforming to EN/IEC 61000-4-2 Electrostatic discharge immunity test - test level: 20 kV (on air) conforming to EN/IEC 61000-4-2 Susceptibility to electromagnetic fields - test level: 10 V/m (80...1000 MHz) conforming to EN/IEC 61000-4-3 Susceptibility to electromagnetic fields - test level: 30 V/m (1.4 GHz...2 GHz) conforming to EN/IEC 61000-4-3
Vibration resistance	+/-0.35 mm (f= 10...55 Hz) conforming to EN/IEC 61496-1
Shock resistance	10 gn (duration = 16 ms) for 1000 shocks on each axis conforming to EN/IEC 61496-1
Service life	20 year(s)

Offer Sustainability

Sustainable offer status	Green Premium product
REACH free of SVHC	Yes
EU RoHS Directive	Pro-active compliance (Product out of EU RoHS legal scope) EU RoHS Declaration
Mercury free	Yes
RoHS exemption information	Yes

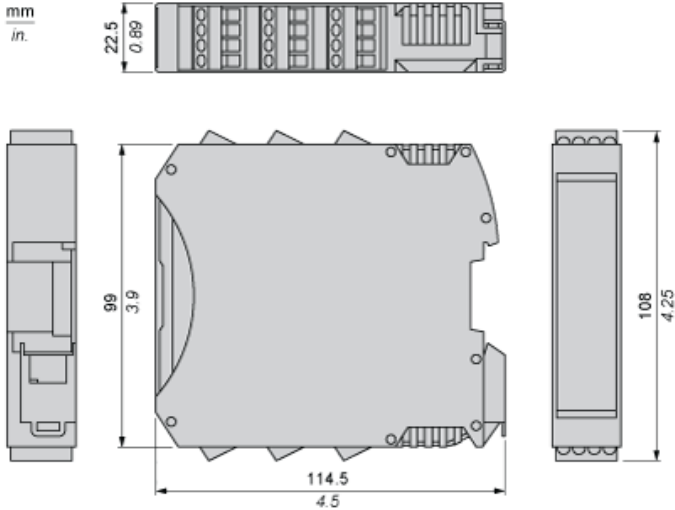
China RoHS Regulation	China RoHS declaration
Environmental Disclosure	Product Environmental Profile
Circularity Profile	End of Life Information
WEEE	The product must be disposed on European Union markets following specific waste collection and never end up in rubbish bins

Contractual warranty

Warranty	18 months
----------	-----------

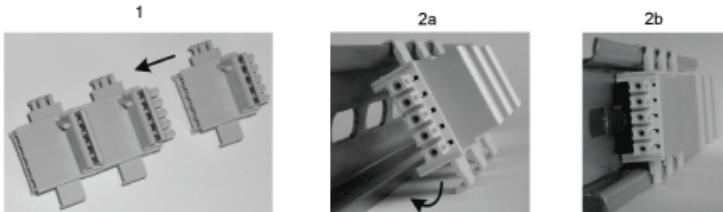
Dimensions

Screw Terminal



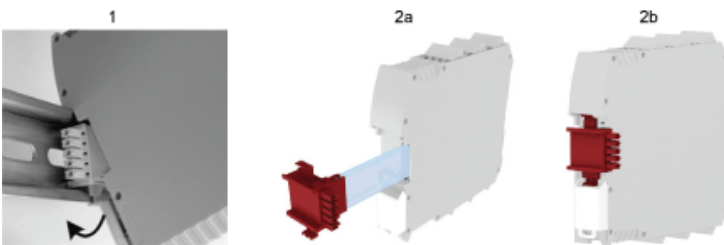
Mounting Safety Controller CPU with Module(s)

Mount BackPlane Connector on Rail



- 1 : Connect as much Backplane Connector as module to be install.
- 2 : Fix the connectors to the rail (Top first).

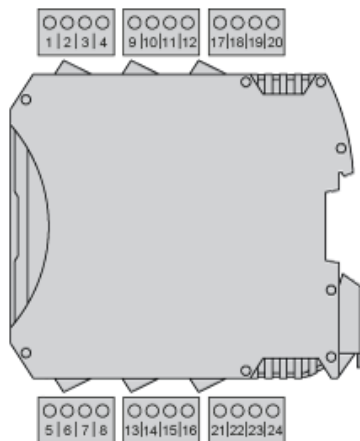
Mount Safety Controller CPU with Other Module(s)



- 1 : Mount controller CPU and modules on rail.
- 2 : Make sure that the controller CPU or the module(s) are plugged on the BackPlane connector.

Wiring

Terminal Designation



Terminal	Description
1	24 Vdc power supply
2	Node selection
3	
4	0 Vdc power supply
5	Static output 1
6	
7	Feedback/Restart 1
8	digital output
9	Static output 2
10	
11	Feedback/Restart 2
12	digital output
13	24 Vdc power supply
14	24 Vdc power supply
15	0 Vdc power supply
16	
17	Static output 4
18	
19	Feedback/Restart 4
20	digital output
21	Static output 3
22	
23	Feedback/Restart 3
24	digital output

