



Price\* : 317.00 GBP



## Main

Range of product	Preventa Safety automation
Product or component type	Safe relay output module
Device short name	XPSMCM
Electrical connection	Screw terminal
[Us] rated supply voltage	24 V - 20...20 % DC
Number of outputs	4 relay
Discrete output number	8 solid state at 125 mA (diagnostics)
Function of module	Monitoring safety actuators for relay output

## Complementary

Maximum power dissipation in W	3 W
Integrated connection type	Backplane expansion bus
Switching voltage	10 V DC
Associated fuse rating	3.5 A, slow-blow
Safety level	Can reach category 4 conforming to EN/ISO 13849-1 Can reach PL = e conforming to EN/ISO 13849-1 Can reach SIL 3 conforming to EN/IEC 61508 SILCL 3 conforming to IEC 62061
Quality labels	CE
Output type	Relay, 4 NO circuit(s), volt-free
Quantity per set	1
Switching time	12 ms
Maximum switching voltage	400 V AC 250 V DC
Minimum switching current	20 mA
Maximum switching current	6 A
Number of terminal blocks	4
Local signalling	1 LED green with PWR marking for power ON

	1 LED green with RUN marking for RUN (status) 1 LED red with E IN marking for internal error 1 LED red with E EX marking for external error 2 LEDs orange with ADDR marking for node address 4 LEDs green/red with RELAY K1...K4 marking for relay contact 4 LEDs yellow with RST marking for reset
Connections - terminals	2 captive screw clamp terminals, removable terminal block 1 captive screw clamp terminals, removable terminal block
Cable cross section	0.2...1.5 mm <sup>2</sup> - AWG 24...AWG 16 flexible cablewithout cable end 0.2...2.5 mm <sup>2</sup> - AWG 24...AWG 14 flexible cablewithout cable end 0.25...1 mm <sup>2</sup> - AWG 23...AWG 18 flexible cablewith cable end, without bezel 0.25...2.5 mm <sup>2</sup> - AWG 23...AWG 14 flexible cablewith cable end, with bezel 0.25...2.5 mm <sup>2</sup> - AWG 23...AWG 14 flexible cablewith cable end, without bezel 0.5...1.5 mm <sup>2</sup> - AWG 20...AWG 16 flexible cablewith cable end, with double bezel 0.2...1 mm <sup>2</sup> - AWG 24...AWG 18 solid cablewithout cable end 0.2...2.5 mm <sup>2</sup> - AWG 24...AWG 14 solid cablewithout cable end
Mounting support	Omega 35 mm DIN rail conforming to EN 50022
Width	22.5 mm
Height	99 mm
Depth	114.5 mm
Product weight	0.3 kg

## Environment

Standards	IEC 62061 EN/ISO 13849-1 EN/IEC 61800-5-1 EN/IEC 61508
Product certifications	TÜV RCM CULus
IP degree of protection	IP20
Ambient air temperature for operation	-10...55 °C
Ambient air temperature for storage	-20...85 °C
Relative humidity	10...95 %
Pollution degree	2
[Uimp] rated impulse withstand voltage	4 kV conforming to EN/IEC 61800-5-1
Safety reliability data	B10d = 300000 utilisation category AC-15 230 V, , <3 A conforming to EN/ISO 13849-1 B10d = 750000 utilisation category AC-15 230 V, , <1 A conforming to EN/ISO 13849-1 B10d = 1000000 utilisation category DC-13 24 V, , <2 A conforming to EN/ISO 13849-1
Insulation	250 V AC between power supply and housing conforming to EN/IEC 61800-5-1
Overvoltage category	II
Electromagnetic compatibility	Electrostatic discharge immunity test - test level: 6 kV (on contact) conforming to EN/IEC 61000-4-2 Electrostatic discharge immunity test - test level: 20 kV (on air) conforming to EN/IEC 61000-4-2 Susceptibility to electromagnetic fields - test level: 10 V/m (80...1000 MHz) conforming to EN/IEC 61000-4-3 Susceptibility to electromagnetic fields - test level: 30 V/m (1.4 GHz...2 GHz) conforming to EN/IEC 61000-4-3
Vibration resistance	+/-0.35 mm (f= 10...55 Hz) conforming to EN/IEC 61496-1
Shock resistance	10 gn for 16 ms (1000 shocks on each axis) conforming to EN/IEC 61496-1
Electrical durability	20000000 cycles
Mechanical durability	20000000 cycles
Service life	20 year(s)

## Offer Sustainability

Sustainable offer status	Green Premium product
REACH free of SVHC	Yes
EU RoHS Directive	Pro-active compliance (Product out of EU RoHS legal scope) <a href="#">EU RoHS Declaration</a>
Mercury free	Yes
RoHS exemption information	<a href="#">Yes</a>

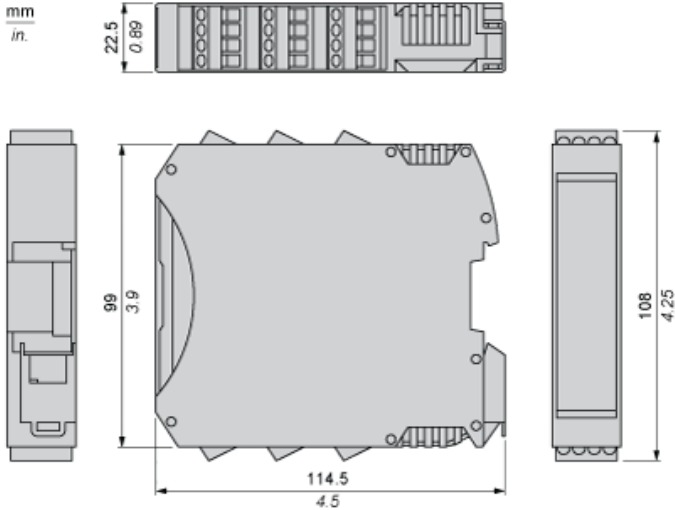
China RoHS Regulation	<a href="#">China RoHS declaration</a>
Environmental Disclosure	<a href="#">Product Environmental Profile</a>
Circularity Profile	<a href="#">End of Life Information</a>
WEEE	The product must be disposed on European Union markets following specific waste collection and never end up in rubbish bins

### Contractual warranty

Warranty	18 months
----------	-----------

Dimensions

Screw Terminal

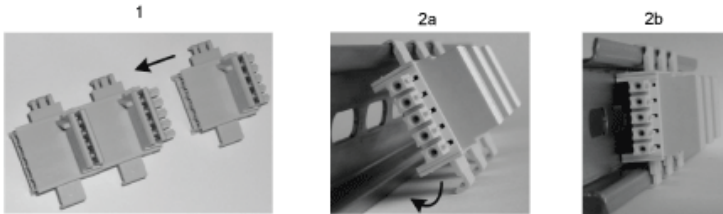


---

Mounting Safety Controller CPU with Module(s)

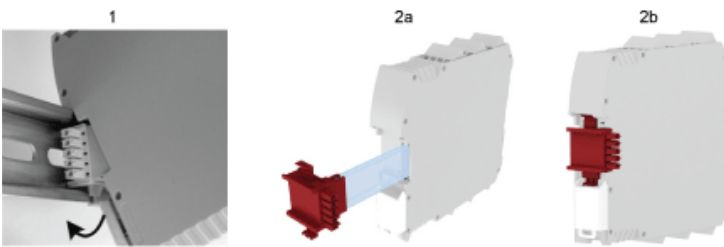
---

Mount BackPlane Connector on Rail



- 1 : Connect as much Backplane Connector as module to be install.
- 2 : Fix the connectors to the rail (Top first).

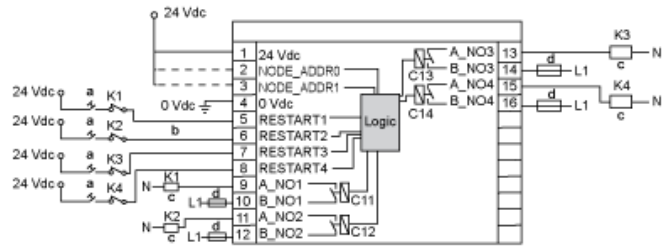
Mount Safety Controller CPU with Other Module(s)



- 1 : Mount controller CPU and modules on rail.
- 2 : Make sure that the controller CPU or the module(s) are plugged on the BackPlane connector.

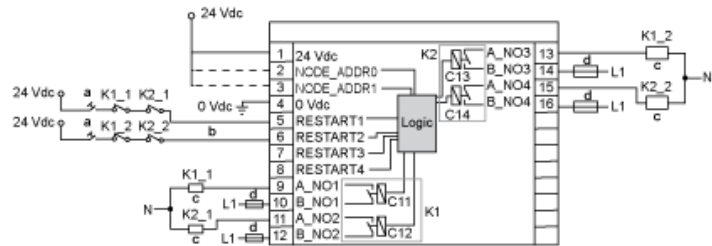
Wiring

Category 2 Wiring



- a : Restart
- b : Feedback
- c : Load
- d : Fuse

Category 4 Wiring



- a : Restart
- b : Feedback
- c : Load
- d : Fuse