



Model Number

NBN15-18GM60-UO

Features

- Cylindrical
- 15 mm non-flush
- 2-wire AC/DC

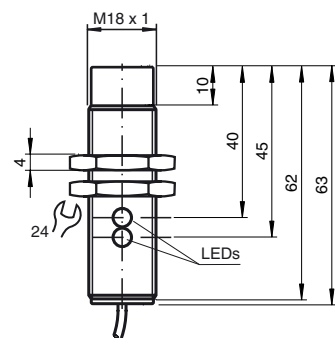
Accessories

BF 18
Mounting flange, 18 mm

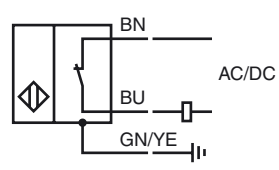
Technical Data

General specifications	
Switching function	Normally closed (NC)
Output type	Two-wire
Rated operating distance	s_n 15 mm
Installation	non-flush
Output polarity	AC/DC
Reduction factor r_{Al}	0.45
Reduction factor r_{Cu}	0.4
Reduction factor r_{304}	0.7
Output type	3-wire
Nominal ratings	
Operating voltage	U_B 20 ... 250 V AC/20 ... 300 V DC
Switching frequency	f 30 Hz
Hysteresis	H 3 ... 15 typ. 5 %
Reverse polarity protection	yes
Short-circuit protection	yes
Voltage drop	U_d \leq 8 V
Operating current	I_L 4 ... 300 mA AC/DC
Off-state current	I_r \leq 0.8 mA
Operating voltage indicator	LED, green
Switching state indicator	LED, yellow
Ambient conditions	
Ambient temperature	-25 ... 70 °C (-13 ... 158 °F)
Storage temperature	-40 ... 85 °C (-40 ... 185 °F)
Mechanical specifications	
Connection type	cable PUR , 2 m
Core cross-section	0.5 mm ²
Housing material	brass, nickel-plated
Sensing face	PBT
Degree of protection	IP67
Compliance with standards and directives	
Standard conformity	
Standards	EN 60947-5-2:2007 EN 60947-5-2/A1:2012 IEC 60947-5-2:2007 IEC 60947-5-2 AMD 1:2012
Approvals and certificates	
UL approval	cULus Listed, General Purpose
CSA approval	cCSAus Listed, General Purpose
CCC approval	Certified by China Compulsory Certification (CCC)

Dimensions



Electrical Connection



Release date: 2017-07-13 11:30 Date of issue: 2017-07-13 198083_eng.xml