

Model Number

973EX4WI-A10T

Features

- 7 mm flush
- 2-wire AC/DC
- Explosion-proof housing
- Stainless steel sensing face
- UL and CSA listed for use in Class I, II, and III, Division 1 and 2 hazardous locations

Technical Data

General specifications

Switching function		Normally open (NO)
Rated operating distance	s_n	7 mm
Installation		flush
Output polarity		AC/DC
Assured operating distance	s_a	5.67 mm
Actuating element		Ferrous targets
Reduction factor r_{Al}		0
Reduction factor r_{Cu}		0
Reduction factor r_{304}		0.4 - 0.7
Reduction factor r_{S137}		1
Output type		2-wire AC/DC

Nominal ratings

Operating voltage	U_B	20 ... 250 V AC/DC
Switching frequency	f	15 Hz
Hysteresis	H	2 ... 15 % 5 typ.
Reverse polarity protection		reverse polarity protected
Short-circuit protection		no
Voltage drop	U_d	≤ 7 V
Operating current	I_L	8 ... 200 mA
Off-state current	I_r	1.7 mA

Ambient conditions

Ambient temperature		-25 ... 70 °C (-13 ... 158 °F)
---------------------	--	--------------------------------

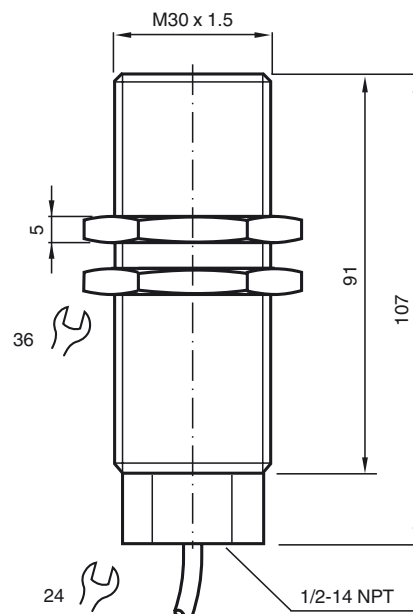
Mechanical specifications

Connection type		cable PVC , 2 m
Core cross-section		2 x 0.75 mm ²
Housing material		stainless steel (303/1.4305)
Sensing face		stainless steel (303/1.4305)
Degree of protection		IP67 / IP68

Approvals and certificates

UL approval		UL 1203
CSA approval		CSA 22.2, no. 30-M1986

Dimensions



Electrical Connection

