

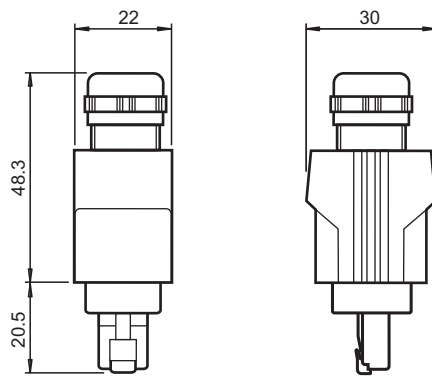


connector ICZ-AIDA1-V45

Plug connector for RJ-45



Dimensions



Technical Data

General specifications			
Number of pins			4
Electrical specifications			
Rated current	I_r		1.75 A
Nominal voltage			50 V
Compliance with standards and directives			
Standard conformity			
Standards			CAT5 (IEC 11801:2002) , CAT5e (TIA 568B:2001)
Ambient conditions			
Ambient temperature			-40 ... 70 °C (-40 ... 158 °F)
Mechanical specifications			
Degree of protection			IP65/IP67
Connection			RJ-45
Material			
Contacts			Cu alloy
Contact surface			Au

Release date: 2020-03-23 Date of issue: 2020-03-27 Filename: 217762_eng.pdf

Refer to "General Notes Relating to Pepperl+Fuchs Product Information".

Pepperl+Fuchs Group
www.pepperl-fuchs.com

USA: +1 330 486 0001
fa-info@us.pepperl-fuchs.com

Germany: +49 621 776 1111
fa-info@de.pepperl-fuchs.com


Singapore: +65 6779 9091
fa-info@sg.pepperl-fuchs.com

PF PEPPERL+FUCHS

Technical Data

Housing	Zinc die-casting, nickel-plated
Cable	
Sheath diameter	5 mm ... 8 mm
Core diameter	0.13 mm ² ... 0.32 mm ² (solid) 0.14 mm ² ... 0.36 mm ² (stranded) 26 ... 22 AWG (solid/stranded)
Mass	68 g

Accessories

	CBL-PUR-PN-GN-04x034-100M	Cable, PROFINET, PUR/PE, 4-wire, shielded
---	----------------------------------	---