



**Model Number**

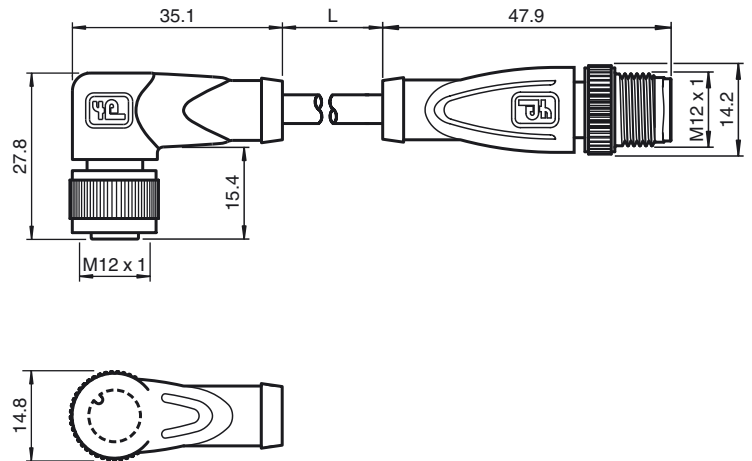
**V1-W-BK6M-PUR-U-V1-G**

Connection cable, M12 to M12, PUR cable, 4-pin

**Features**

- UL Recognized Component
- Knurled nut suitable for tool assembly
- Immunity to vibration, with mechanical latching
- Gold plated contacts
- Degree of protection IP67 / IP68 / IP69K
- Flame resistant cable
- Halogen-free
- Suitable for drag chains

**Dimensions**



**Technical data**

**General specifications**

|                |         |
|----------------|---------|
| Number of pins | 4       |
| UL File Number | E231213 |

**Electrical specifications**

|                   |       |                            |
|-------------------|-------|----------------------------|
| Operating voltage | $U_B$ | max. 250 V AC/DC           |
| Test voltage      |       | > 1500 V <sub>eff</sub> AC |
| Operating current | $I_B$ | max. 4 A                   |
| Volume resistance |       | < 5 mΩ                     |

**Ambient conditions**

|                     |   |
|---------------------|---|
| Ambient temperature | -40 ... 90 °C (-40 ... 194 °F)<br>cable, fixed: -40 ... 80 °C (-40 ... 176 °F)<br>cable, flexing: -20 ... 80 °C (-4 ... 176 °F) |
| Pollution Degree    | 3   |

**Mechanical specifications**

|                      |                              |
|----------------------|------------------------------|
| Contact elements     | spring-loaded contact socket |
| Pin diameter         | 1 mm                         |
| Degree of protection | IP67 / IP68 / IP69K          |

**Material**

|                        |  |
|------------------------|--|
| Contacts               | CuSn / Au  |
| Contact surface        | Au   |
| Body                   | TPU, black   |
| Cable                  | PUR  |
| Slotted nut            | Diecast zinc   |
| Sleeve connector       | Diecast zinc   |
| Core insulation        | PP   |
| Cable                  | extra-fine wire, flexible                                    |
| Sheath diameter        | Ø 4.3 mm   |
| Bending radius         | > 10 x cable diameter, moving<br>> 5 x cable diameter, fixed |
| Color                  | black  |
| Cores                  | 4 x 0.34 mm <sup>2</sup>                                     |
| Conductor construction | 42 x 0.1 mm Ø  |
| Length                 | L 6 m  |

**Drag chain suitability**

|                   |           |
|-------------------|-----------|
| Drag chain cycles | ≥ 5000000 |
| Motion velocity   | ≤ 3.3 m/s |
| Torsional stress  | ± 180 °/m |

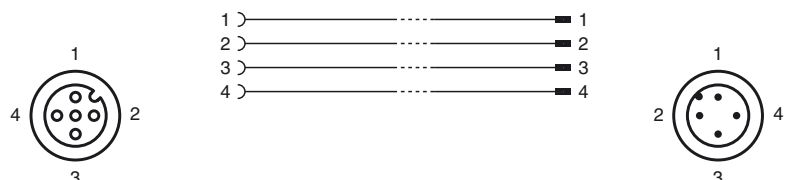
**Flammability**

|                  |        |
|------------------|--------|
| Contact material | 94 HB  |
| Housing          | 94 V-2 |
| Cable            | FT2    |

**Compliance with standards and directives**

|                     |  |
|---------------------|--|
| Standard conformity |  |
|---------------------|--|

**Electrical connection**



Release date: 2015-01-12 14:02 Date of issue: 2015-01-12 240776-0006\_eng.xml

|                      |   |
|----------------------|---|
| Degree of protection | EN 60529:2000   |
| Standards            | IEC 61076-2-101:2008  |
| Flammability         | Body: UL 94<br>Line: UL 1581 Section 1061; IEC 60332-1-2:2004 |
| Halogen-free         | IEC 60754-1:1994  |

**Approvals and certificates**

|   |  |
|---|--|
| UL approval                             | cURus AWM 20549 AWM I/II A/B 80°C 300V FT2 (cable) |
| Maximum permissible operating voltage   | ≤ 30 V   |
| Maximum permissible ambient temperature | ≤ 80 °C (≤ 176 °F)                                 |

Release date: 2015-01-12 14:02 Date of issue: 2015-01-12 240776-0006\_eng.xml