



Model Number

ENA58IL-S***-SSI

Features

- Solid shaft
- SSI interface
- Up to 32 Bit multiturn
- Free of wear magnetic sampling
- High resolution and accuracy
- Additionally push buttons for preset function (only model characteristic SB2, SG2)
- Up to 4096 pulses on incremental track

Description

The ENA58IL series are high precision encoders with internal magnetic sampling.

This multiturn absolute encoder transmits a position value corresponding to the shaft setting via the SSI interface (Synchronous Serial Interface).

The control module sends a start sequence to the absolute encoder to obtain the position data. The rotary encoder then sends the position data synchronous to the cycles of the control module. It is possible to select the counting direction with the function input.

Technical Data

General specifications

Detection type	magnetic sampling
Device type	Absolute encoders
Linearity error	$\leq \pm 0.1^\circ$
UL File Number	E223176 "For use in NFPA 79 Applications only", if UL marking is marked on the product.

Functional safety related parameters

MTTF _d	700 a at 40 °C
Mission Time (T _M)	20 a
L ₁₀	55 E+8 revolutions at 40/110 N axial/radial shaft load
Diagnostic Coverage (DC)	0 %

Electrical specifications

Operating voltage U _B	4.5 ... 30 V DC (SSI, SSI + RS422) ; 10 ... 30 V DC (SSI + Push/Pull)
No-load supply current I ₀	typ. 50 mA
Power consumption P ₀	approx. 1.5 W
Time delay before availability t _v	< 450 ms
Output code	Gray code, binary code
Code course (counting direction)	adjustable

Interface

Interface type	SSI ; SSI + incremental track
Resolution	
Single turn	up to 16 Bit
Multiturn	up to 16 Bit
Overall resolution	up to 32 Bit
Transfer rate	0.1 ... 2 MBit/s
Cycle time	< 100 μs
Standard conformity	RS 422

Input 1

Input type	Selection of counting direction (cw/ccw)
Signal voltage	
High	4.75 V ... U _B (cw descending)
Low	0 ... 2 V or unconnected (cw ascending)
Input current	< 6 mA
Switch-on delay	< 250 ms

Input 2

Input type	zero-set (PRESET 1) with falling edge
Signal voltage	
High	4.75 V ... U _B
Low	0 ... 2 V
Input current	< 6 mA
Signal duration	≥ 1.1 s

Output

Output type	RS422, Push/Pull
Signal output	A+B+/A-/B
Pulses	1024, 2048, 4096

Connection

Connector	M12 connector, 8-pin or M23 connector, 12-pin
Cable	Ø7 mm, 6 x 2 x 0.14 mm ² , 1 m (cable length, see order code)

Standard conformity

Degree of protection	DIN EN 60529, IP65 or IP67 (not for M23 device plug)
Climatic testing	DIN EN 60068-2-3, no moisture condensation
Emitted interference	EN 61000-6-4:2007
Noise immunity	EN 61000-6-2:2005
Shock resistance	DIN EN 60068-2-27, 200 g, 6 ms
Vibration resistance	DIN EN 60068-2-6, 20 g, 10 ... 1000 Hz

Ambient conditions

Operating temperature	cable, flexing: -5 ... 70 °C (23 ... 158 °F), cable, fixed: -30 ... 70 °C (-22 ... 158 °F) connector models: -40 ... 85 °C (-40 ... 185 °F)
Storage temperature	-40 ... 85 °C (-40 ... 185 °F)
Relative humidity	98 % , no moisture condensation

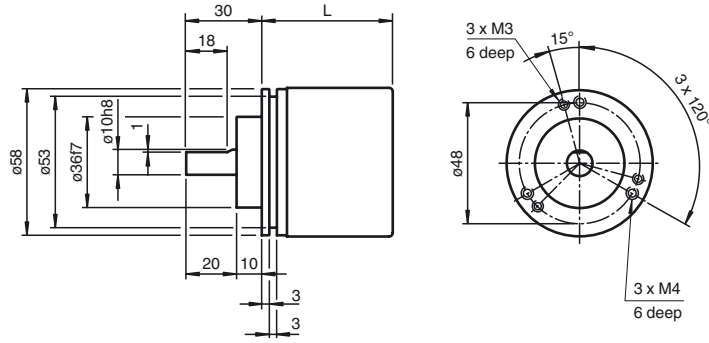
Mechanical specifications

Material	
Housing	nickel-plated steel , painted
Flange	Aluminum
Shaft	Stainless steel
Mass	approx. 300 g , with cable
Rotational speed	max. 12000 min ⁻¹
Moment of inertia	50 gcm ²
Starting torque	< 5 Ncm
Shaft load	
Axial	40 N
Radial	110 N

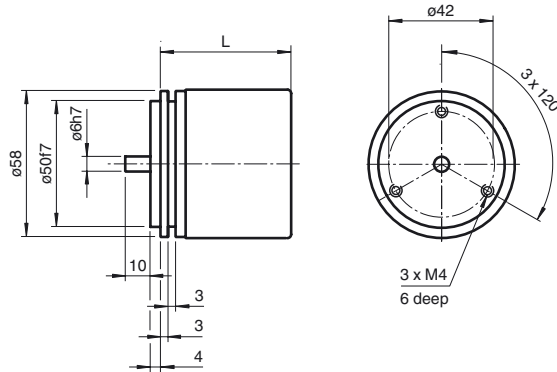
Approvals and certificates

UL approval	cULus Listed, General Purpose, Class 2 Power Source , if UL marking is marked on the product.
-------------	---

Dimensions



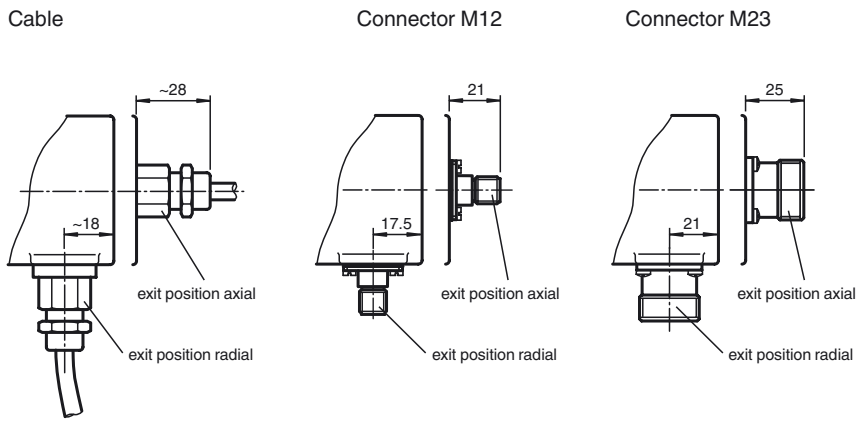
Clamping flange



Servo flange

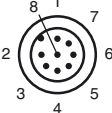
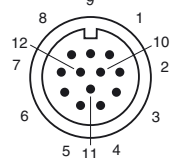
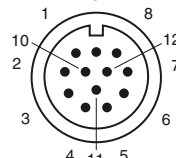
Design	L [mm]	
	Axial output	Radial output
Singleturn	41.7	52.7
Multiturn	52.7	

Connections
Dimensions in mm



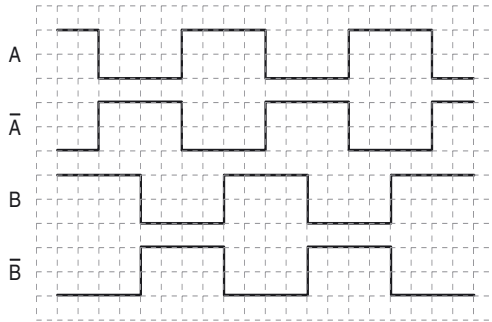
Release date: 2019-10-15 07:18 Date of issue: 2019-10-15 t166164_eng.xml

Electrical connection

Signal	Cable, 12-core	Connector M12, 8-pin	Connector M23, 12-pin, cw	Connector M23, 12-pin, ccw	Explanation
GND (encoder)	White	1	1	1	Power supply
U _b (encoder)	Brown	2	2	8	Power supply
Clock (+)	Green	3	3	3	Positive cycle line
Clock (-)	Yellow	4	4	11	Negative cycle line
Data (+)	Grey	5	5	2	Positive transmission data
Data (-)	Pink	6	6	10	Negative transmission data
A	Black		7	12	Incremental track A
V/R	Red	8	8	5	Input for selection of counting direction
PRESET 1	Blue	7	9	9	Zero-setting input
B	Grey/Pink		10	4	Incremental track B
\bar{A}	Violet		11	6	Incremental track \bar{A}
\bar{B}	Red/Blue		12	7	Incremental track \bar{B}
					

Release date: 2019-10-15 07:18 Date of issue: 2019-10-15 t166164_eng.xml

Signal outputs



↻ cw - with view onto the shaft

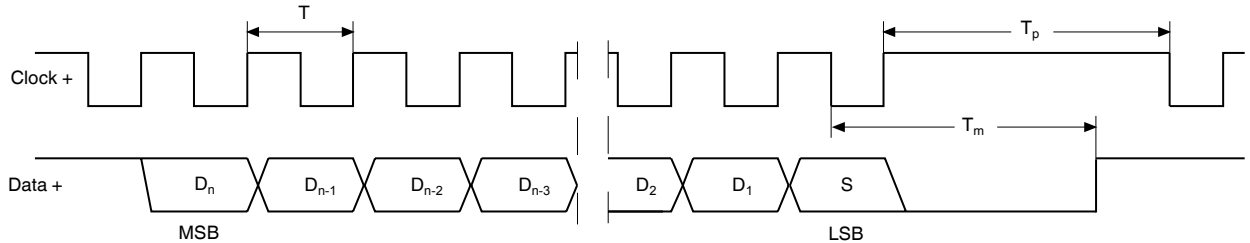
Release date: 2019-10-15 07:18 Date of issue: 2019-10-15 t166164_eng.xml

Description

The Synchronous Serial Interface was specially developed for transferring the output data of an absolute encoder to a control device. The control module sends a clock bundle and the absolute encoder responds with the position value.

Thus only 4 lines are required for the clock and data, no matter what the resolution of the rotary encoder is. The RS 422 interface is optically isolated from the power supply.

SSI signal course Standard



- D_1, \dots, D_n : Position data
- S: Special bit
- MSB: Most significant bit
- LSB: Least significant bit
- $T = 1/f$: Duration of period of clock signal ≤ 1 MHz
- T_m : Monoflop time $20 \mu s \pm 1 \mu s$
- T_p : Clock pause \geq monoflop time ($T_p \geq T_m$)

SSI output format Standard

- At idle status signal lines "Data +" and "Clock +" are at high level (5 V).
- The first time the clock signal switches from high to low, the data transfer in which the current information (position data (D_n) and special bit (S)) is stored in the encoder is introduced.
- The highest order bit (MSB) is applied to the serial data output of the encoder with the first rising pulse edge.
- The next successive lower order bit is transferred with each following rising pulse edge.
- After the lowest order bit (LSB) has been transferred the data line switches to low until the monoflop time T_m has expired.
- No subsequent data transfer can be started until the data line switches to high again or the time for the clock pause T_p has expired.
- After the clock sequence is complete, the monoflop time T_m is triggered with the last falling pulse edge.
- The monoflop time T_m determines the lowest transmission frequency.

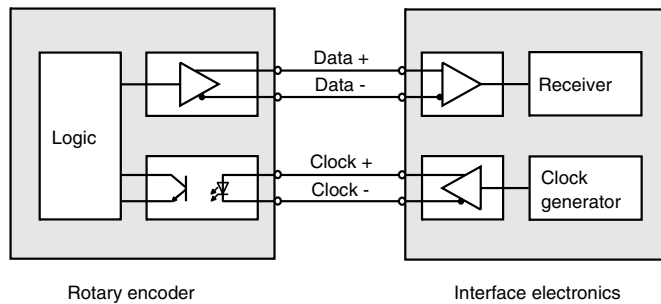
SSI output format ring slide operation (multiple transmission)

- In ring slide operation, multiple transmission of the same data word over the SSI interface makes it possible to offer the possibility of detecting transmission errors.
- In multiple transmission, n bits are transferred per data word in standard format. The value n equals the total resolution of the encoder. As an example: a multiturn encoder with a resolution of 8192 steps/revolution (13 bit) and a max. number of 4096 revolutions (12 bit) has a total resolution of $n = 25$ bit.
- If the clock change is not interrupted after the last falling pulse edge, ring slide operation automatically becomes active. This means that the information that was stored at the time of the first clock change is generated again.
- After the first position transmission, the $n+1$ pulse controls data repetition. If the $n+1$ pulse follows after an amount of time greater than the monoflop time T_m , a new current data word will be transmitted with the following pulses.



If the pulse line is exchanged, the data word is generated offset.

Block diagram



Line length

Line length in m	Baudrate in kHz
< 50	< 400
< 100	< 300
< 200	< 200
< 400	< 100

Release date: 2019-10-15 07:18 Date of issue: 2019-10-15 t166164_eng.xml

Push buttons on encoder with model characteristic SB2, SG2

In addition to the electrical preset function (PRESET 1) these models are equipped with 2 push buttons for manually setting the zero point of the rotary encoder.

Manually zero set

1. Simultaneously press and hold the push buttons A and B for 2 s.

After releasing the push buttons the rotary encoder sets the current position as zero point.

Model number



Connection type

- C1** Cable, 1 m
- C2** Cable, 2 m
- C5** Cable, 5 m
- CA** Cable, 10 m
- AA** M23 device plug, cw
- AB** M23 device plug, ccw
M12 device plug, 8-pin (not available with SSI + incremental track)
- BE** available with SSI + incremental track)

Connection alignment

- A** axial
- R** radial

Electical interface

SG1 ... SIC see next page

Singleturn resolution

- 12** 12 bit
- 13** 13 bit
- 16** 16 bit

Multiturn resolution

- 00** Singleturn rotary encoder
- 12** Multiturn rotary encoder, 12 bit
- 14** Multiturn rotary encoder, 14 bit
- 16** Multiturn rotary encoder, 16 bit

Degree of protection

- 5** IP65
- 7** IP67 (not for M23 device plug)

Flange

- CA** Clamping flange
- SA** Servo flange

Shaft diameter

- 06** 6 mm
- 10** 10 mm

Shaft type

- S** Solid shaft

Version

- IL** Industrial Line

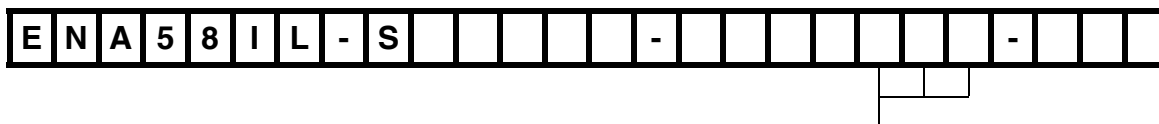
Size

- 58** Housing diameter: 58 mm

Device type

- ENA** Absolute rotary encoder

Release date: 2019-10-15 07:18 Date of issue: 2019-10-15 11:66164_eng.xml

**Electrical interface**

SG1	SSI Gray
SB1	SSI binary
SG2	SSI Gray, with push buttons
SB2	SSI binary, with push buttons
SI1	SSI Gray + 1024 pulses, Push/Pull
SI2	SSI Gray + 2048 pulses, Push/Pull
SI3	SSI Gray + 4096 pulses, Push/Pull
SI4	SSI Gray + 1024 pulses, RS422
SI5	SSI Gray + 2048 pulses, RS422
SI6	SSI Gray + 4096 pulses, RS422
SI7	SSI Binär + 1024 pulses, Push/Pull
SI8	SSI Binär + 2048 pulses, Push/Pull
SI9	SSI Binär + 4096 pulses, Push/Pull
SI A	SSI Binär + 1024 pulses, RS422
SI B	SSI Binär + 2048 pulses, RS422
SI C	SSI Binär + 4096 pulses, RS422