

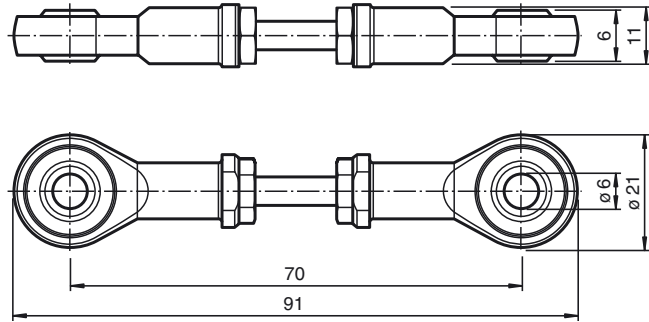


Model Number

ACC-ROD-ENI11HD-070

swivel arm, 70 mm

Dimensions



Technical data

General information

Scope of delivery	<ul style="list-style-type: none"> 1 swivel arm, 70 mm 1 hexagon head screw M6 x 25 (ISO 4017) 1 hexagon nut M6 (ISO 7040) 4 washer M6 (ISO 7090) 2 Spacer
-------------------	---