

### Model Number

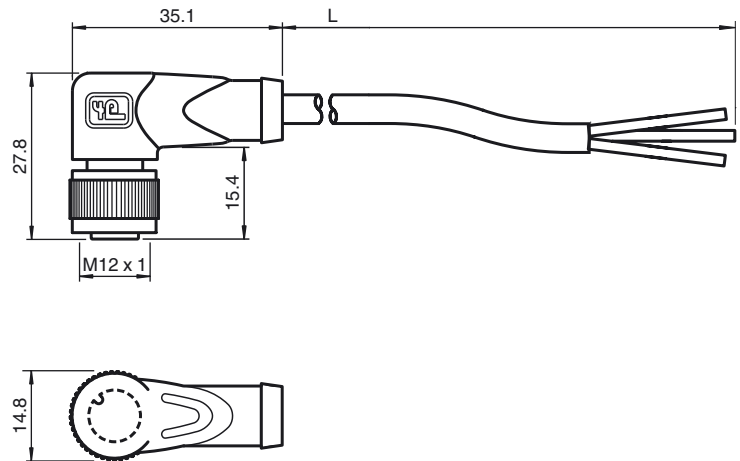
**V1-W-E2-BK5M-PUR-U**

Cable socket, M12, LED, 3-pin, PUR cable

### Features

- UL Recognized Component
- Built-in LED, as operating and function indicator
- Knurled nut suitable for tool assembly
- Immunity to vibration, with mechanical latching
- Gold plated contacts
- Flame resistant cable
- Resistant to microbes and hydrolysis
- Halogen-free
- Suitable for drag chains

### Dimensions



### Technical data

#### General specifications

Number of pins	3
UL File Number	E231213

#### Indicators/operating means

LED green	Operating display
LED yellow	Functional display NO contact

#### Electrical specifications

Operating voltage	$U_B$	max. 24 V DC $\pm$ 15%
Operating current	$I_B$	max. 4 A
Contact resistance		< 10 m $\Omega$

#### Ambient conditions

Ambient temperature	cable, fixed: -40 ... 80 °C (-40 ... 176 °F) cable, flexing: -20 ... 80 °C (-4 ... 176 °F)
Pollution Degree	3

#### Mechanical specifications

Contact elements	spring-loaded contact socket
Pin diameter	1 mm
Degree of protection	IP67 / IP68 / IP69k

#### Material

Contacts	CuSn / Au
Contact surface	Au
Body	TPU, transparent
Cable	PUR
Slotted nut	Diecast zinc
Core insulation	PP

Cable	extra-fine wire, flexible
Sheath diameter	$\varnothing$ 4.3 mm
Bending radius	> 10 x cable diameter, moving > 5 x cable diameter, fixed

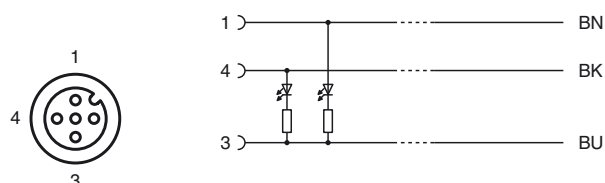
Color	black
Number of cores	3
Core cross-section	0.34 mm <sup>2</sup>
Conductor construction	42 x 0.1 mm $\varnothing$
Length	L 5 m

Drag chain suitability	
Drag chain cycles	$\geq$ 5000000
Motion velocity	$\leq$ 3.3 m/s
Acceleration	$\leq$ 5 m/s <sup>2</sup>
Torsional stress	$\pm$ 180 °/m

#### Flammability

Contact carrier	94 HB
Housing	94 V-2
Cable	FT2

### Electrical connection





**Compliance with standards and directives**

**Standard conformity**

Degree of protection	EN 60529:2000
Standards	IEC 61076-2-101:2008
Flammability	Body: UL 94 Line: UL 1581 Section 1061; IEC 60332-1-2:2004
Halogen-free	IEC 60754-1:1994

**Approvals and certificates**

UL approval	cURus AWM 20549 AWM I/II A/B 80°C 300V FT2 (cable)
Maximum permissible operating voltage	≤ 30 V
Maximum permissible ambient temperature	≤ 80 °C (≤ 176 °F)

Release date: 2015-11-30 16:08 Date of issue: 2015-11-30 223062\_eng.xml