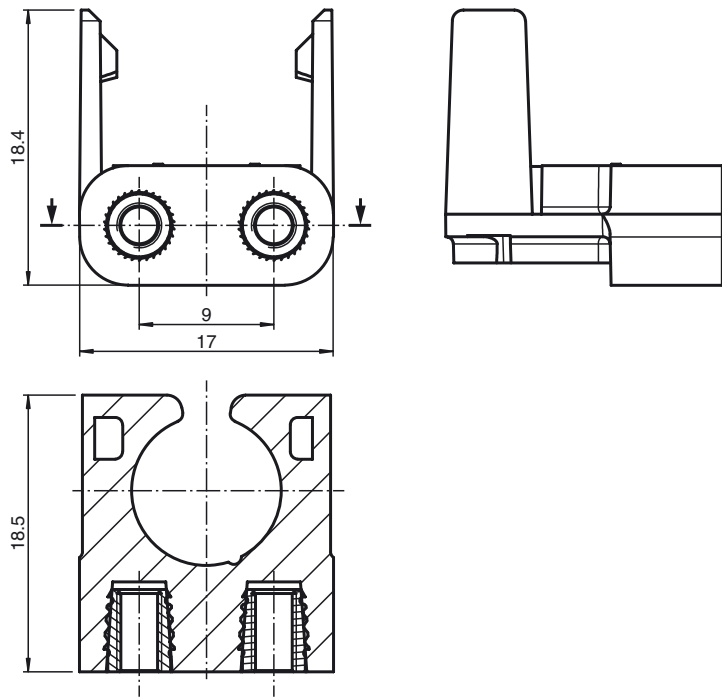


**Model Number****OMH-R101-Front**

Mounting Clamp

**Features**

- Mounting clamp
- Simple and fast mounting

**Dimensions****Technical data****Mechanical specifications**

Material	plastic
Mass	approx. 2 g

**Suitable series**

Series	R101
--------	------