



Model Number

NCB1,5-18GM60-E3-D-V1

Inductive sensor

Features

- 1.5 mm flush
- Compression proof up to 350 bar, dynamic on active surface
- For applications in hydraulic cylinder

Application

Note

Please refer to the technical information about this product at www.pepperl-fuchs.com. This information describes the necessary geometry of the installation space!

Accessories

V1-G

Female connector, M12, 4-pin, field attachable

V1-W

Female connector, M12, 4-pin, field attachable

V1-G-2M-PUR

Female cordset, M12, 4-pin, PUR cable

V1-W-2M-PUR

Female cordset, M12, 4-pin, PUR cable

Technical Data

General specifications

Switching function		Normally closed (NC)
Output type		PNP
Rated operating distance	s_n	1.5 mm
Installation		flush
Output polarity		DC
Assured operating distance	s_a	0 ... 1.22 mm
Reduction factor r_{304}		0.5
Output type		3-wire

Nominal ratings

Operating voltage	U_B	10 ... 60 V DC
Switching frequency	f	0 ... 1500 Hz
Hysteresis	H	typ. 5 %
Reverse polarity protection		reverse polarity protected
Short-circuit protection		pulsing
Voltage drop	U_d	≤ 2.5 V
Operating current	I_L	0 ... 200 mA
No-load supply current	I_0	≤ 10 mA

Limit data

Operating pressure		350 bar (5076.4 psi)
--------------------	--	----------------------

Functional safety related parameters

MTTF _d		1240 a
Mission Time (T _M)		20 a
Diagnostic Coverage (DC)		0 %

Ambient conditions

Ambient temperature		-35 ... 80 °C (-31 ... 176 °F)
---------------------	--	--------------------------------

Mechanical specifications

Connection type		Connector plug M12 x 1, 4-pin
Housing material		Stainless steel 1.4305 / AISI 303
Sensing face		Epoxy (black)
Degree of protection		IP67

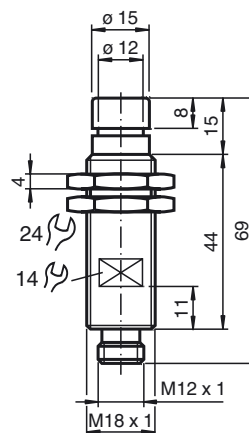
Compliance with standards and directives

Standard conformity		
Standards		EN 60947-5-2:2007 EN 60947-5-2/A1:2012 IEC 60947-5-2:2007 IEC 60947-5-2 AMD 1:2012

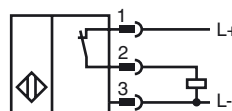
Approvals and certificates

UL approval		cULus Listed, General Purpose
CCC approval		Certified by China Compulsory Certification (CCC)

Dimensions



Electrical Connection

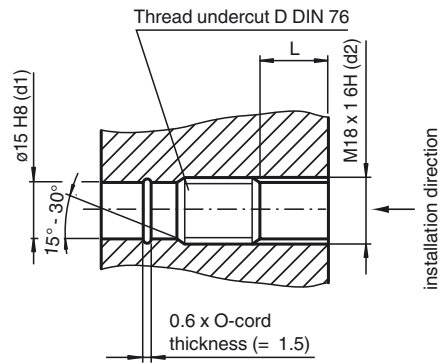


Pinout



Wire colors in accordance with EN 60947-5-2

1		BN	(brown)
2		WH	(white)
3		BU	(blue)
4		BK	(black)



L: recommended installation depth: $L \geq 0.8 \times d2$