



Model Number

PSS58X

Features

- Housing Ø 58 mm
- PROFIBUS interface
- 16 Bit singleturn
- Ex approval for zone 2 and zone 22
- Speed transfer
- Extended scaling functions
- Programmable limit switches
- Recessed hollow shaft

Description

The absolute encoder corresponds to the PROFIBUS profile for encoders, order no. 3.062.

For operation based on Class 1, position data and diagnostic data bytes 1 ... 16 are available. In addition, the direction of the code can be selected as either ascending or descending.

If the rotary encoder is operated according to Class 2, additional functions to those from Class 1 are available. These include scaling of the resolution per revolution and the overall resolution, as well as the preset function.

Besides, the rotary encoder offers extended functionalities such as speed transfer, extended scaling functions, programmable limit switches and a commissioning mode.

The removable connecting hood contains switches for setting the terminating resistor and setting the address.

This Profibus encoder is designed for operation in zone 2 and zone 22.

Technical Data

General specifications

Detection type	photoelectric sampling
Device type	Singleturn absolute encoder
UL File Number	E223176 "For use in NFPA 79 Applications only", if UL marking is marked on the product.

Functional safety related parameters

MTTF _d	80 a
Mission Time (T _M)	20 a
L ₁₀	1.9 E+11 at 6000 rpm and 20/40 N axial/radial shaft load
Diagnostic Coverage (DC)	0 %

Electrical specifications

Operating voltage U _B	10 ... 30 V DC
Current consumption	max. 230 mA at 10 V DC, max. 100 mA at 24 V DC
Linearity	± 2 LSB at 16 Bit, ± 1 LSB at 13 Bit, ± 0,5 LSB at 12 Bit
Output code	binary code
Code course (counting direction)	programmable, cw ascending (clockwise rotation, code course ascending) cw descending (clockwise rotation, code course descending)

Interface

Interface type	PROFIBUS
----------------	----------

Resolution

Single turn	up to 16 Bit
Overall resolution	up to 16 Bit

Transfer rate	0.0096 ... 12 MBit/s
---------------	----------------------

Standard conformity	PNO profile 3.062, RS-485
---------------------	---------------------------

Connection

Terminal compartment	in removable housing cover
----------------------	----------------------------

Standard conformity

Degree of protection	DIN EN 60529 , shaft side: IP64 housing side: IP65
Climatic testing	DIN EN 60068-2-30 , no moisture condensation
Emitted interference	EN 61000-6-4:2007
Noise immunity	EN 61000-6-2:2005
Shock resistance	DIN EN 60068-2-27, 100 g, 6 ms
Vibration resistance	DIN EN 60068-2-6, 10 g, 10 ... 2000 Hz

Ambient conditions

Operating temperature	-30 ... 55 °C (-22 ... 131 °F)
Storage temperature	-30 ... 70 °C (-22 ... 158 °F)

Mechanical specifications

Material	
Combination 1	housing: powder coated aluminum flange: aluminum shaft: stainless steel

Mass	approx. 550 g
------	---------------

Rotational speed	max. 6000 min ⁻¹
------------------	-----------------------------

Moment of inertia	30 gcm ²
-------------------	---------------------

Starting torque	≤ 3 Ncm
-----------------	---------

Tightening torque, fastening screws	max. 1.8 Nm
-------------------------------------	-------------

Shaft load

Angle offset	± 0.9 °
--------------	---------

Axial offset	static: ± 0.3 mm, dynamic: ± 0.1 mm
--------------	-------------------------------------

Radial offset	static: ± 0.5 mm, dynamic: ± 0.2 mm
---------------	-------------------------------------

Data for application in connection with hazardous areas

ATEX marking	Ex II 3G Ex nA IIB T4 Gc X
--------------	----------------------------

	Ex II 3D Ex tc IIIC T120°C Dc X
--	---------------------------------

Certificate	PF 19 CERT 5194 X
-------------	-------------------

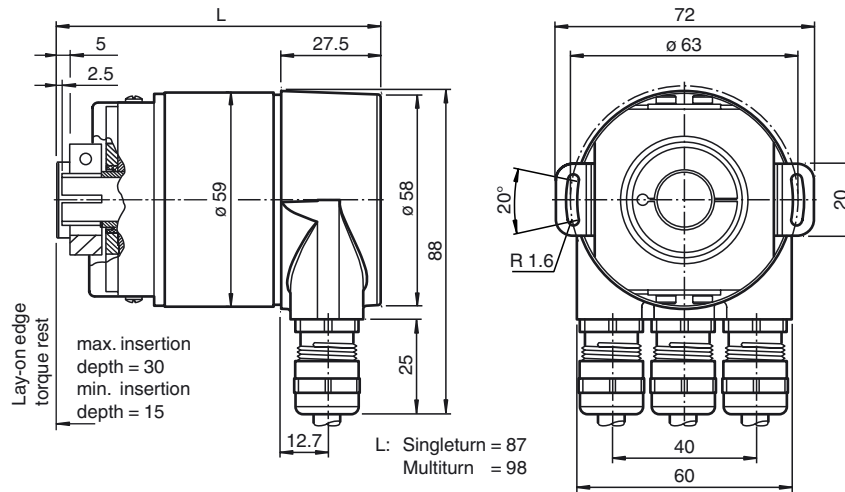
Directive conformity

Directive 2014/34/EU	EN 60079-0:2012+A11:2013 , EN 60079-15:2010 , EN 60079-31:2014
----------------------	--

Approvals and certificates

UL approval	cULus Listed, General Purpose, Class 2 Power Source , if UL marking is marked on the product.
-------------	---

Dimensions

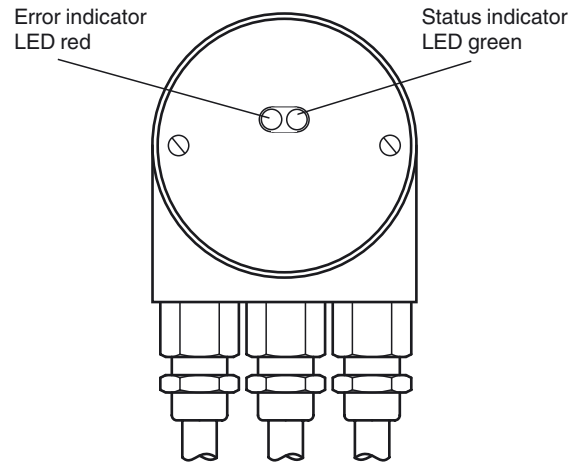
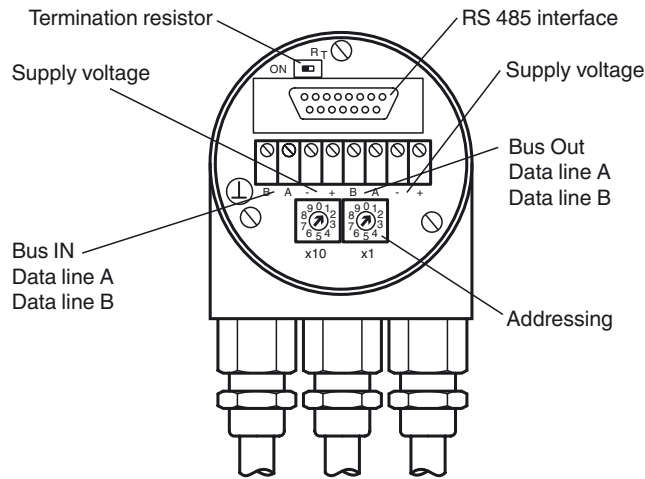


Electrical connection

Terminal	Explanation
\perp	Ground connection for power supply
B (left)	Data line B (pair 1), Bus In
A (left)	Data line A (pair 1), Bus In
(-)	0 V
(+)	10 V ... 30 V
B (right)	Data line B (pair 2), Bus Out
A (right)	Data line A (pair 2), Bus Out
(-)	0 V
(+)	10 V ... 30 V
The supply lines only have to be connected once (regardless to which terminal). The outgoing bus is being uncoupled while the terminal resistor is on.	

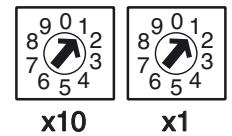
The arrangement of the terminals is shown in the section operating elements.

Indicating and operating elements



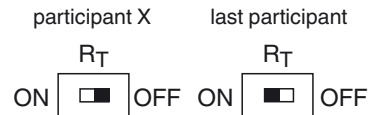
Adjusting the participant address

The participant address can be adjusted with the rotary switches. The address can be defined between 1 and 99, and may only be assigned once.



Adjusting the termination resistor

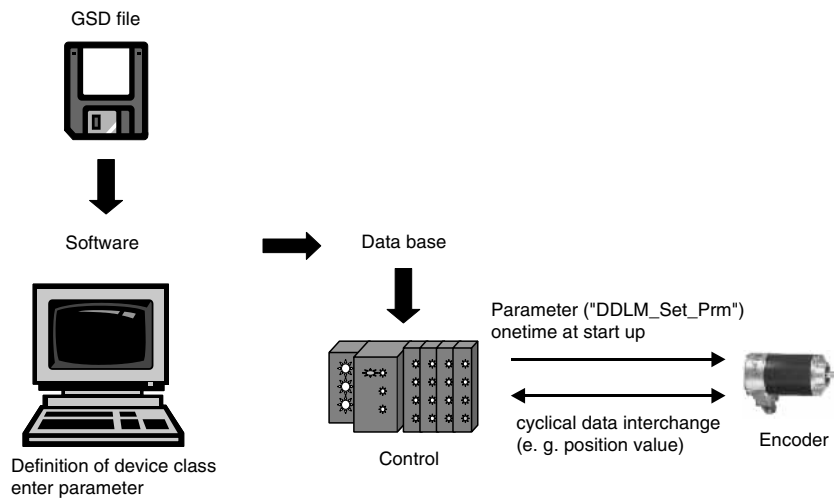
The terminating resistor R_T (220 Ω) can be connected to the circuit by means of the switch:



LED-indicators

LED red	LED green	Meaning
off	off	No voltage supply
on	on	Encoder ready, no configuration data received. possible reasons: - wrong address adjusted - wrong bus wiring
on	flashing	Parameterising or configuration error. Encoder receives data of incorrect length or inconsistent data. possible reason: - adjusted encoder resolution exceeds
flashing	on	Encoder ready, no communication with master (i.e. wrong address setting)
on	off	Data timeout (> 40 s). (i.e. data lines interrupted)
off	on	Normal operation, Data Exchange Mode
off	flashing	Installation Mode in Data Exchange Mode.

Principle of data transmission



Parameter table encoder classes P+F 2.1 and P+F 2.2

Octet number (Byte)	Parameter	Bit number
1...8	PROFIBUS standard parameters	
9	Direction of rotation	0
	Class 2 functionality	1
	Commissioning Diagnostics	2
	Scaling function	3
	Reserved	4
	Reserved	5
	Activate manufacturer specific parameters (Octet 26)	6
	Reserved	7
10 ... 13	Desired measuring steps (reference: Octet 26, Bit 0 and 1)	
14 ... 17	Overall resolution	
18 ... 25	Reserved	
26	Reference for desired measuring steps	0
		1
	Activate commissioning mode	2
	Reduced diagnosis	3
	Reserved	4
	Activate lower software limit switch	5
	Activate upper software limit switch	6
	Activation of the parameters from Octet 27	7
27 ... 30	Lower limit switch	
31 ... 34	Upper limit switch	
35 ... 38	Physical measuring steps	
39	Reserved	0
	Rotary encoder type (singleturn or multiturn)	1
	Reserved	2
	Reserved	3
	Selection of the unit for speed transfer	4
		5
	Reserved	6
	Reserved	7

Release date: 2019-08-23 11:34 Date of issue: 2019-08-23 t32835_eng.xml

Order code



- Number of bits singleturn**
 - 13 8192 (standard)
 - 16 65536
- Temperature**
 - N not expanded
- Output code**
 - B Binary
- Option**
 - 0 no option
- Exit position**
 - R radial
- Connection type**
 - AG Removable housing cover with terminal compartment
- Shaft dimension/flange version**
 - F1A Recessed hollow shaft Ø10 mm x 30 mm
 - F2A Recessed hollow shaft Ø12 mm x 30 mm
 - F3A Recessed hollow shaft Ø15 mm x 30 mm
- Option**
 - X Model for hazzardous areas
- Principle of operation**
 - S Singleturn
- Shaft version**
 - S Recessed hollow shaft
- Data format**
 - P PROFIBUS

Release date: 2019-08-23 11:34 Date of issue: 2019-08-23 t32835_eng.xml

Refer to "General Notes Relating to Pepperl+Fuchs Product Information".