



### Model Number

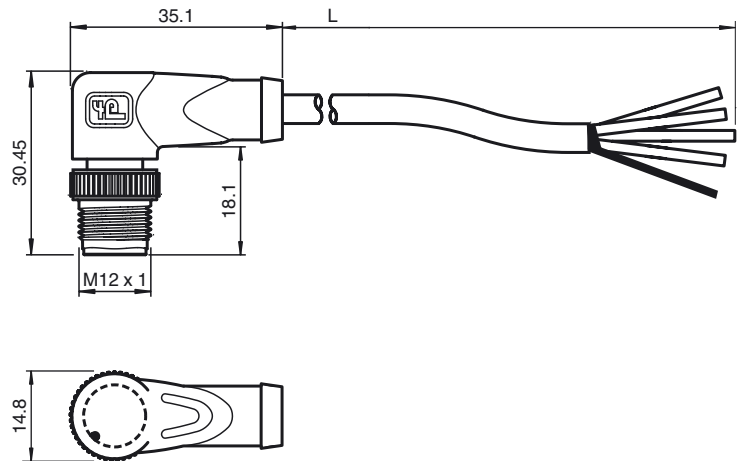
**V1S-W-1M-PUR-ABG**

Cable connector, M12, 4-pin, shielded, PUR cable

### Features

- Knurled nut suitable for tool assembly
- Immunity to vibration, with mechanical latching
- Shield attached to coupling nut
- Gold plated contacts
- Degree of protection IP67 / IP68 / IP69K
- Halogen-free

### Dimensions



### Technical data

#### General specifications

Number of pins	4 + shield
Connection 1	Male connector
Construction type 1	right angle
Threading 1	M12
Connection 2	cable end

#### Electrical specifications

Operating voltage	$U_B$	max. 250 V AC/DC
Operating current	$I_B$	max. 4 A
Volume resistance		< 5 m $\Omega$

#### Ambient conditions

Ambient temperature	Body: -40 ... 90 °C (-40 ... 194 °F) cable, flexing: -25 ... 80 °C (-13 ... 176 °F) cable, fixed: -25 ... 80 °C (-13 ... 176 °F)
Pollution degree	3

#### Mechanical specifications

Contact elements	contact pin	
Pin diameter	1 mm	
Degree of protection	IP67	
Material		
Contacts	CuSn / Au	
Contact surface	Au	
Body	TPU, black	
Cable	PUR	
Sleeve connector	Diecast zinc	
Core insulation	PP	
Cable	fine-strand, flexible	
Sheath diameter	Ø 4.8 mm	
Bending radius	> 10 x cable diameter, moving 5 x cable diameter, single bend	
Color	grey	
Cores	4 x 0.34 mm <sup>2</sup>	
Conductor construction	19 x 0.15 mm Ø	
Shield	grid covering 85 %	
Length	L	1 m
Flammability		
Contact carrier	HB	
Housing	V-2	

#### Compliance with standards and directives

Standard conformity	
Degree of protection	EN 60529:2000
Standards	IEC 61076-2-101:2008
Flammability	Grip: UL 94

### Electrical connection

