



Model Number

NBB15-30GM60-B3B-V1

AS-Interface

Features

- 15 mm flush
- Cylindrical
- A/B slave with extended addressing possibility for up to 62 slaves
- NO/NC selectable
- On/Off delay (disconnectable)

Accessories

BF 30

Mounting flange, 30 mm

EXG-30

Quick mounting bracket with dead stop

V1-G-BK0,3M-PUR-U-V1-G

Connection cable, M12 to M12, PUR cable, 4-pin

Technical Data

General specifications

Switching function	Normally open/closed (NO/NC) programmable
Output type	AS-Interface
Rated operating distance	s_n 15 mm
Installation	flush
Assured operating distance	s_a 0 ... 12.15 mm
Reduction factor r_{Al}	0.4
Reduction factor r_{Cu}	0.4
Reduction factor r_{304}	0.7
Reduction factor r_{Brass}	0.5
Slave type	A/B slave
AS-Interface specification	V3.0
Required master specification	\geq V2.1
Output type	2-wire

Nominal ratings

Operating voltage	U_B 26.5 ... 31.9 V via AS-i bus system
Switching frequency	f 0 ... 200 Hz
Hysteresis	H 1 ... 15 typ. 5 %
Reverse polarity protection	reverse polarity protected
No-load supply current	I_0 \leq 25 mA
Switching state indicator	dual-LED, yellow
Error indicator	dual-LED, red

Functional safety related parameters

MTTF _d	1700 a
Mission Time (T _M)	20 a
Diagnostic Coverage (DC)	0 %

Ambient conditions

Ambient temperature	-25 ... 70 °C (-13 ... 158 °F)
Storage temperature	-40 ... 85 °C (-40 ... 185 °F)

Mechanical specifications

Connection type	Connector plug M12 x 1, 4-pin
Housing material	brass, nickel-plated
Sensing face	PBT
Degree of protection	IP67

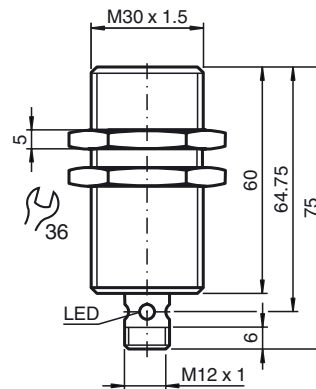
Compliance with standards and directives

Standard conformity	EN 60947-5-2:2007 IEC 60947-5-2:2007 EN 50295:1999
---------------------	--

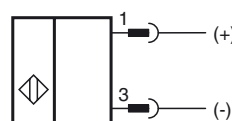
Approvals and certificates

UL approval	cULus Listed, General Purpose
CSA approval	cCSAus Listed, General Purpose
CCC approval	CCC approval / marking not required for products rated \leq 36 V

Dimensions



Electrical Connection



Release date: 2019-08-23 12:40 Date of issue: 2019-08-23 226336_eng.xml

Pinout

**Programming Instructions**

Address 00 preset, alterable
via Busmaster
or programming units

IO-Code 0

ID-Code A

ID1-Code 7

ID2-Code E

Data bit

Bit Function

D0 Switching state

D1 -

D2 -

D3 -

Parameter bit

Bit Function

P0 ON / Off delay
activated* / deactivated

P1 Switching element function
NO* / NC

P2 not used

P3 not used

*Standard setting