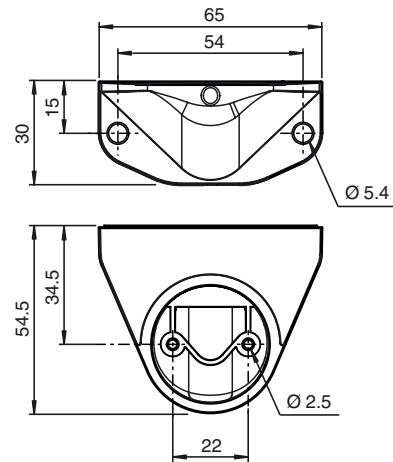




Dimensions



Model number

VAZ-MH-90°-BASE1-40MM

Angle, hidden cable entry

Features

- Modular design

Matching system components

VAZ-CLAMP-40MM-IO

Signal tower connection element IO-Link with cover

VAZ-CLAMP-40MM

Stack light terminal base with cover plate

Technical data

General specifications

Color grey

Ambient conditions

Ambient temperature -30 ... 60 °C (-22 ... 140 °F)

Mechanical specifications

Degree of protection IP66

Material PC/ABS

Mass 29 g