



Base for read/write station

U-P6-B5

- INTERBUS-remote bus subscriber
- 2 PG screw fittings for IN and OUT supply
- 2 EMV PG screw fittings for BUS IN and OUT
- Complete read/write functionality via the INTERBUS
- Transfer of 10 bytes of data in one cycle
- DIP switch for ring termination
- Field device with degree of protection IP67

Base for INTERBUS



IDENT-I System P

Release date: 2020-03-27 Date of issue: 2020-03-27 Filename: 099100_eng.pdf

Function

The base is used in combination with an upper part, the IPT*-FP read/write station. The device is operated as a slave on the INTERBUS remote bus. The device makes available the complete read/write functionality. Up to 10 bytes are transmitted per cycle. The continuing bus is activated via DIP switch.

Refer to "General Notes Relating to Pepperl+Fuchs Product Information".

Pepperl+Fuchs Group
www.pepperl-fuchs.com

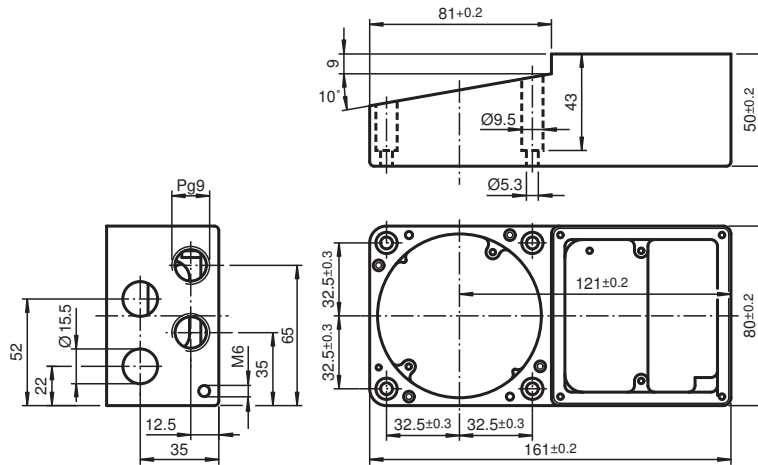
USA: +1 330 486 0001
fa-info@us.pepperl-fuchs.com

Germany: +49 621 776 1111
fa-info@de.pepperl-fuchs.com

Singapore: +65 6779 9091
fa-info@sg.pepperl-fuchs.com

 **PEPPERL+FUCHS**

Dimensions



Technical Data

Indicators/operating means

DIP switch	ring termination 0 = closed 1 = bus continued
------------	---

Electrical specifications

Rated operating voltage	U_e	20 ... 30 V DC , ripple 10 % _{SS} , PELV
Power consumption	P_0	max. 5 W with read/write head IPT*-FP

Galvanic isolation

Operating voltage/interface	functional insulation acc. to DIN EN 50178, rated insulation voltage 50 V _{eff}
-----------------------------	--

Interface

Physical	RS-485
Protocol	INTERBUS remote bus
ID code	03
Transfer rate	500 kBit/s or 2 MBit/s internally switchable

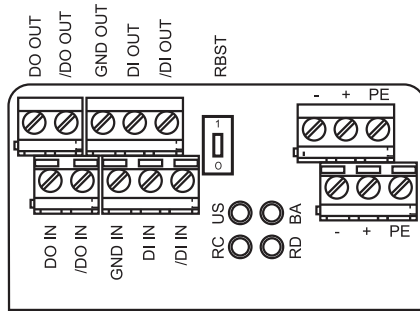
Ambient conditions

Ambient temperature	-25 ... 70 °C (-13 ... 158 °F)
Storage temperature	-40 ... 85 °C (-40 ... 185 °F)

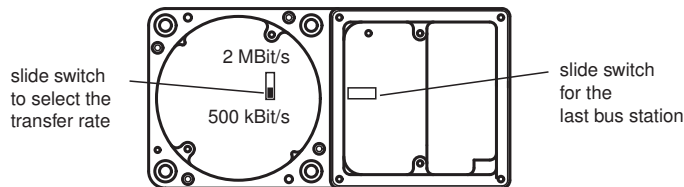
Mechanical specifications

Degree of protection	IP67 according to EN 60529 with IPT*-FP
Connection	screw terminals
Interface cable	up to 1.5 mm ²
Supply	up to 3 x 1.5 mm ²
Material	
Housing	aluminum, black anodized


Connection



Assembly



Matching system components

	<p>IPT1-FP</p>	<p>LF R/W system, fully assembled as configuration and test station</p>
---	-----------------------	---

Release date: 2020-03-27 Date of issue: 2020-03-27 Filename: 099100_eng.pdf

Refer to "General Notes Relating to Pepperl+Fuchs Product Information".