



CE
0102

Model Number

KC-EMV-Y38624

EMC series module for NAMUR sensors

Features

- 1-channel terminal amplifier
- NAMUR sensor input
- DC 24 V supply voltage
- Low noise sensitivity
- Compact terminal housing
- Clips onto standard 35 mm rail to DIN EN 50 022
- Degree of protection IP20

Description

The KC-EMV-Y38624 is a module for operation in intrinsic safe circuits. It should be applied, if there are increased EMC requirements.

Protection of connected Pepperl+Fuchs NAMUR sensors against:

1. Burst

Fast transient voltage peaks according IEC 801-4, unsymmetrical, 2 kV, capacitive coupler, criterion A.

2. Current injection

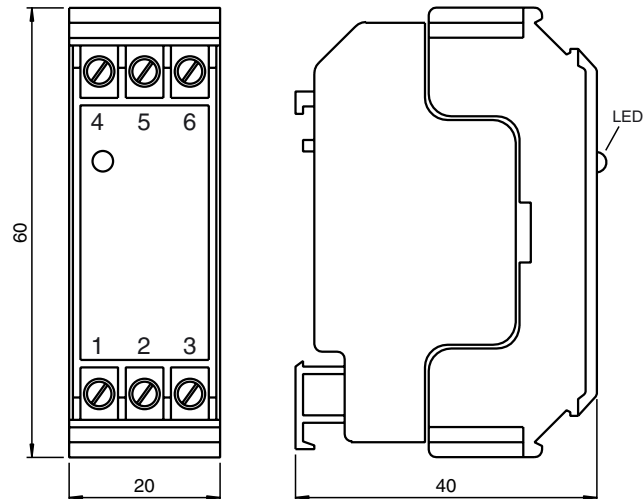
High frequency unsymmetrical, amplitude modulated according IEC 801-6 and ENV 50141, 150 kHz ... 80 MHz, 10 V, 80 % AM, source impedance 150 W, criterion A.

All measurements with the particular sensor are carried out, set up on a grounded plate or with grounded housing.

Technical Data

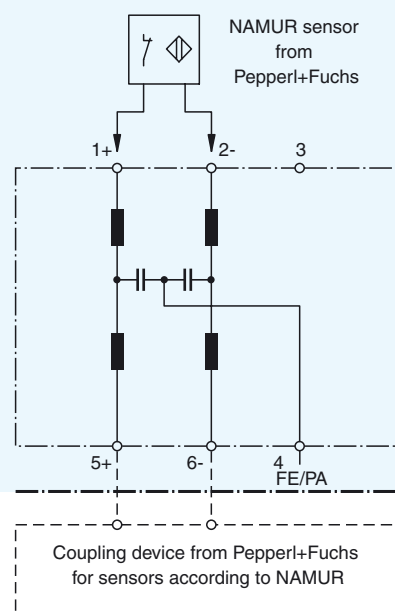
Input	
Connection	terminals 5+, 6-, max. 16 V DC
Output	
Connection	terminals 1+, 2- Terminal 4/FE/PA NAMUR
Ambient conditions	
Ambient temperature	-25 ... 100 °C (-13 ... 212 °F)
Storage temperature	-25 ... 100 °C (-13 ... 212 °F)
Mechanical specifications	
Mass	60 g
Dimensions	20 mm x 60 mm x 40 mm
General information	
Use in the hazardous area	see instruction manuals
Category	2G

Dimensions



Electrical Connection

Hazardous area



Safe area

Equipment protection level Gb

CE marking		CE 0102
ATEX marking		II 2G EEx ia IIC T6
Standards		EN 50014:1997, EN 50020:1994 Ignition protection "Intrinsic safety" Use is restricted to the following stated conditions
Appropriate type		KC-EMV-Y38624
Effective internal capacitance	C_i	≤ 40 nF
Effective internal inductance	L_i	≤ 600 μ H
Maximum permissible ambient temperature T_{amb}		The temperature ranges, according to temperature class, are given in the EC-Type Examination Certificate.