



Model Number

NJ15/2+U1+E8-V1

Features

- Comfort series
- Twin sensor with $S_n = 2 \times 15 \text{ mm}$, non-flush

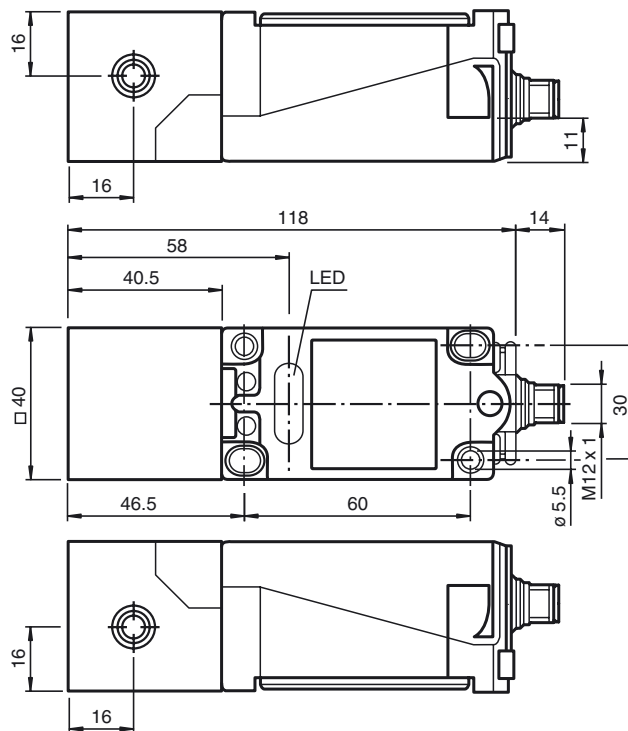
Accessories

- V1-G**
Female connector, M12, 4-pin, field attachable
- V1-W**
Female connector, M12, 4-pin, field attachable
- V1-W-2M-PUR**
Female cordset, M12, 4-pin, PUR cable
- V1-G-2M-PUR**
Female cordset, M12, 4-pin, PUR cable

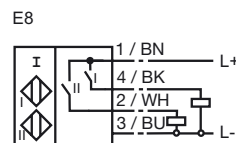
Technical Data

General specifications			
Switching element function		PNP	NO
Rated operating distance	s_n	15 mm	
Installation		non-flush	
Output polarity		DC	
Assured operating distance	s_a	0 ... 12.15 mm	
Reduction factor r_{Al}		0.4	
Reduction factor r_{Cu}		0.3	
Reduction factor r_{304}		0.75	
Nominal ratings			
Operating voltage	U_B	10 ... 30 V	
Switching frequency	f	0 ... 100 Hz	
Hysteresis	H	1 ... 10 typ. 5 %	
Reverse polarity protection		reverse polarity protected	
Short-circuit protection		pulsing	
Voltage drop	U_d	$\leq 3 \text{ V}$	
Operating current	I_L	0 ... 100 mA	
Off-state current	I_r	0 ... 0.5 mA typ. 0.01 mA	
No-load supply current	I_0	$\leq 30 \text{ mA}$	
Time delay before availability	t_v	$\leq 50 \text{ ms}$	
Operating voltage indicator		LED, green	
Switching state indicator		LED, yellow	
Ambient conditions			
Ambient temperature		-25 ... 70 °C (-13 ... 158 °F)	
Storage temperature		-25 ... 85 °C (-13 ... 185 °F)	
Mechanical specifications			
Connection type		4-pin, M12 x 1 connector	
Housing material		PBT	
Sensing face		PBT	
Degree of protection		IP67	
Compliance with standards and directives			
Standard conformity			
Standards		EN 60947-5-2:2007 IEC 60947-5-2:2007	
Approvals and certificates			
UL approval		cULus Listed, General Purpose	
CSA approval		cCSAus Listed, General Purpose	

Dimensions



Electrical Connection



Release date: 2014-06-25 13:52 Date of issue: 2014-06-25 035947_eng.xml