



Model Number

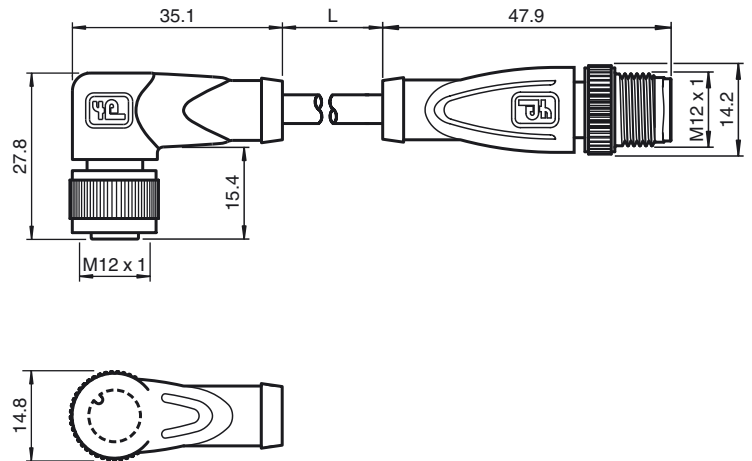
V1-W-BK7M-PUR-U-V1-G

Connection cable, M12 to M12, PUR cable, 4-pin

Features

- UL Recognized Component
- Knurled nut suitable for tool assembly
- Immunity to vibration, with mechanical latching
- Gold plated contacts
- Degree of protection IP67 / IP68 / IP69K
- Flame resistant cable
- Halogen-free
- Suitable for drag chains

Dimensions



Technical data

General specifications

| | |
|----------------|---------|
| Number of pins | 4 |
| UL File Number | E231213 |

Electrical specifications

| | | |
|-------------------|-------|------------------|
| Operating voltage | U_B | max. 250 V AC/DC |
| Operating current | I_B | max. 4 A |
| Volume resistance | | < 5 m Ω |

Ambient conditions

| | |
|---------------------|---|
| Ambient temperature | -40 ... 90 °C (-40 ... 194 °F) cable, fixed: -40 ... 80 °C (-40 ... 176 °F) cable, flexing: -20 ... 80 °C (-4 ... 176 °F) |
|---------------------|---|

| | |
|------------------|---|
| Pollution degree | 3 |
|------------------|---|

Mechanical specifications

| | |
|----------------------|------------------------------|
| Contact elements | spring-loaded contact socket |
| Pin diameter | 1 mm |
| Degree of protection | IP67 / IP68 / IP69k |
| Cable code | Li 9Y 11Y 4 x 0.34 |

Material

| | |
|------------------|--------------|
| Contacts | CuSn / Au |
| Contact surface | Au |
| Body | TPU, black |
| Cable | PUR |
| Slotted nut | Diecast zinc |
| Sleeve connector | Diecast zinc |
| Core insulation | PP |

Cable

| | |
|-----------------|--|
| Sheath diameter | Ø 4.3 mm |
| Bending radius | > 10 x cable diameter, moving > 5 x cable diameter, fixed |

| | |
|-------|-------|
| Color | black |
|-------|-------|

| | |
|------------------------|----------------------|
| Number of cores | 4 |
| Core cross-section | 0.34 mm ² |
| Conductor construction | 42 x 0.1 mm Ø |
| Length | L 7 m |

Drag chain suitability

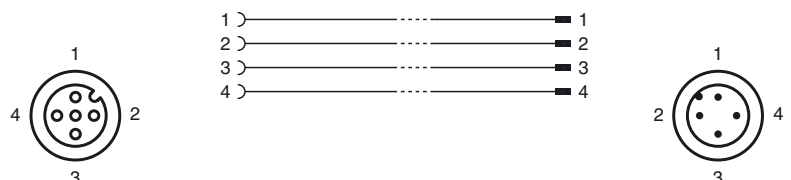
| | |
|-------------------|-----------|
| Drag chain cycles | ≥ 5000000 |
| Motion velocity | ≤ 3.3 m/s |
| Torsional stress | ± 180 °/m |

Flammability

| | |
|-----------------|--------|
| Contact carrier | 94 HB |
| Housing | 94 V-2 |
| Cable | FT2 |

Compliance with standards and directives

Electrical connection



Release date: 2017-06-20 11:21 Date of issue: 2017-06-20 240776-100007_eng.xml

Standard conformity

| | |
|----------------------|---|
| Degree of protection | EN 60529:2000 |
| Standards | IEC 61076-2-101:2008 |
| Flammability | Body: UL 94 Line: UL 1581 Section 1061; IEC 60332-1-2:2004 |
| Halogen-free | IEC 60754-1:1994 |

Approvals and certificates

| | |
|---|--|
| UL approval | cURus AWM 20549 AWM I/II A/B 80°C 300V FT2 (cable) |
| Maximum permissible operating voltage | ≤ 30 V |
| Maximum permissible ambient temperature | ≤ 80 °C (≤ 176 °F) |

Release date: 2017-06-20 11:21 Date of issue: 2017-06-20 240776-100007_eng.xml