



**Model Number**

**SB3,5-A2-0,5M-V31**

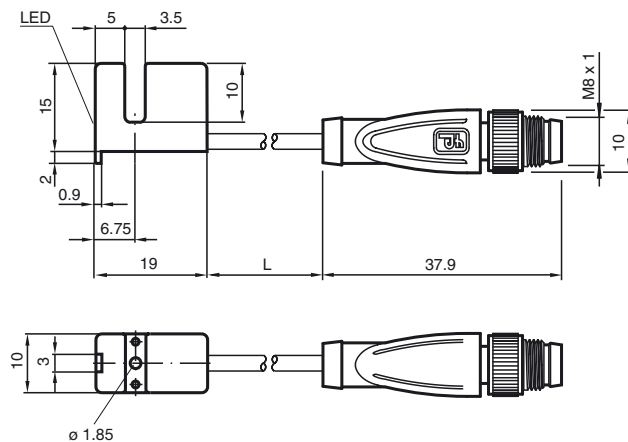
**Features**

- 3.5 mm slot width
- 4-wire DC

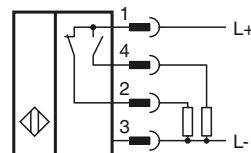
**Technical Data**

<b>General specifications</b>		
Switching function		complementary
Output type		PNP
Slot width		3.5 mm
Depth of immersion (lateral)		5 ... 7 mm
Output polarity		DC
Output type		3-wire
<b>Nominal ratings</b>		
Operating voltage	$U_B$	10 ... 30 V DC
Switching frequency	$f$	0 ... 3000 Hz
Hysteresis	$H$	0.1 ... 0.4 mm
Reverse polarity protection		reverse polarity protected
Short-circuit protection		pulsing
Voltage drop	$U_d$	$\leq 2$ V
Operating current	$I_L$	0 ... 100 mA
No-load supply current	$I_0$	$\leq 15$ mA
Switching state indicator		LED
<b>Ambient conditions</b>		
Ambient temperature		-25 ... 85 °C (-13 ... 185 °F)
<b>Mechanical specifications</b>		
Connection type		Cable connector M8 x 1, 4-pin, cable: PVC, L = 500 mm $\pm$ 5 mm
Housing material		Crastin (PBTB)
Degree of protection		IP67
<b>Cable</b>		
Cable diameter		3 mm + 0.3 mm
Bending radius		> 10 x cable diameter
<b>General information</b>		
Scope of delivery		screw M 1.7 x 10, nut M1.7
<b>Compliance with standards and directives</b>		
Standard conformity		
Standards		EN 60947-5-2:2007 EN 60947-5-2/A1:2012 IEC 60947-5-2:2007 IEC 60947-5-2 AMD 1:2012
<b>Approvals and certificates</b>		
UL approval		cULus Listed, General Purpose
CSA approval		cCSAus Listed, General Purpose
CCC approval		CCC approval / marking not required for products rated $\leq 36$ V

**Dimensions**



**Electrical Connection**



Release date: 2019-08-05 14:40 Date of issue: 2019-08-05 264846\_eng.xml

## Pinout



Wire colors in accordance with EN 60947-5-2

1	BN	(brown)
2	WH	(white)
3	BU	(blue)
4	BK	(black)