



# RFID Transponder

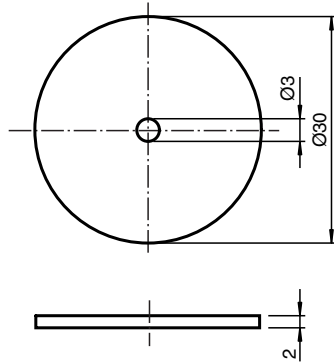
## IPC11-30

- Battery-free data carrier
- 40 bit fixcode free programmable
- Readable from both sides
- Mounting holes for simple installation
- Degree of protection IP67

Data carrier



### Dimensions



### Technical Data

<b>General specifications</b>	
Operating frequency	125 kHz
Transfer rate	2 kBit/s
<b>Memory</b>	
Chip Type	Q5 (Atmel)
EEPROM	40 Bit
Read cycles	unlimited
<b>Directive conformity</b>	
Radio equipment	
Directive 2014/53/EU	EN 300330
RoHS	
Directive 2011/65/EU (RoHS)	EN 50581
<b>Standard conformity</b>	
Degree of protection	EN 60529
RFID	ISO/IEC 18000-2
<b>Ambient conditions</b>	

Release date: 2020-03-20 Date of issue: 2020-03-27 Filename: 127930\_eng.pdf

Refer to "General Notes Relating to Pepperl+Fuchs Product Information".

## Technical Data

Ambient temperature	-25 ... 70 °C (-13 ... 158 °F)
Storage temperature	-40 ... 85 °C (-40 ... 185 °F)
<b>Mechanical specifications</b>	
Degree of protection	IP67
Material	
Housing	PC (Polycarbonate)
Installation	
In air	yes
Construction type	Cylindrical

## Application

The transponder can be read and written from either side.

Release date: 2020-03-20 Date of issue: 2020-03-27 Filename: 127930\_eng.pdf

Refer to "General Notes Relating to Pepperl+Fuchs Product Information".

Pepperl+Fuchs Group  
www.pepperl-fuchs.com

USA: +1 330 486 0001  
fa-info@us.pepperl-fuchs.com

Germany: +49 621 776 1111  
fa-info@de.pepperl-fuchs.com

Singapore: +65 6779 9091  
fa-info@sg.pepperl-fuchs.com