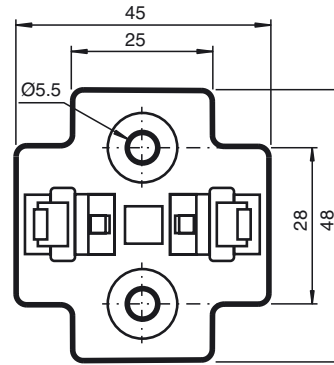


Dimensions



Model Number

MH Y+T-SPLITTER HOLDER

Modular universal holder for M12 T-splitter cordsets and M12 Y-splitter cordsets

Features

- Modular universal holder
- Good chemical and oil resistance
- Free from substances that impair paint wetting

Technical data

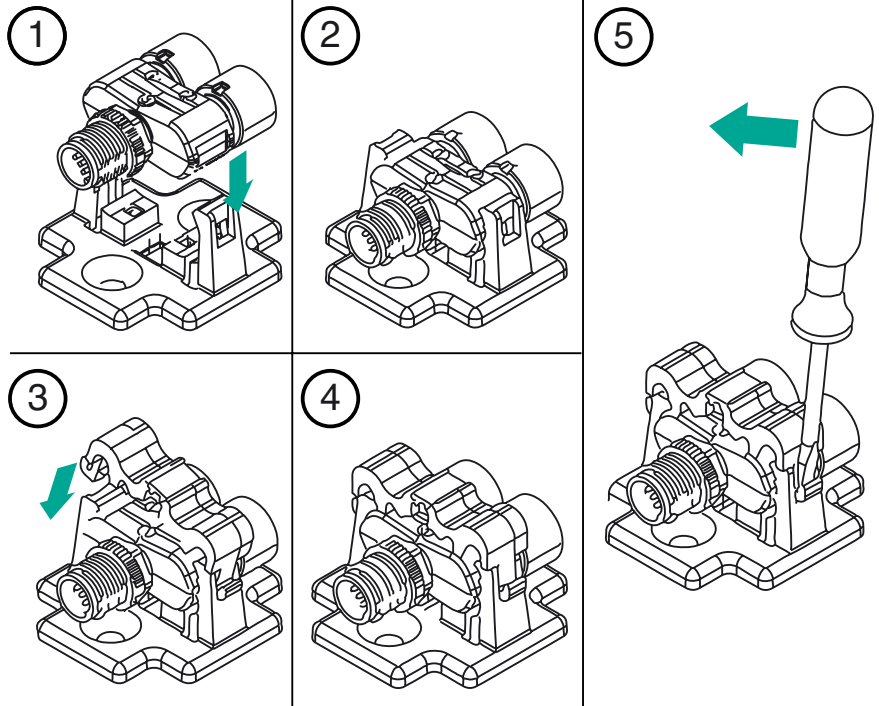
Ambient conditions

Installation temperature -25 ... 85 °C (-13 ... 185 °F)

Mechanical specifications

Material POM
PC/ABS

Installation Note



Release date: 2019-06-12 08:07 Date of issue: 2019-06-19 70107862_eng.xml